

350i

 **Thames Side**

SHEAR BEAM LOAD CELLS FOR INDUSTRIAL WEIGHING

capacities 300kg - 5000kg



This stainless steel shear beam load cell is fully welded and hermetically sealed to IP68/IP69K, so it can be used in the harshest industrial environments. It is typically used in weigh platforms, tank and vessel weighing, big-bag (FIBC) filling machines and conveyors. The 350i is approved to OIML R60 3000 divisions and calibrated in mV/V/ Ω by output current matching – which minimises corner correction time on multi-cell platform scales.

Model 350i load cells are available with ATEX certification for all Gas and Dust zones. The ATEX certification for dust zones 20, 21 and 22 does not require safety barriers, which saves substantial cost.

For applications in aggressive environments where stress corrosion or acid attack could be a problem, a special Parylene coating can be specified as an option. A high temperature variant for operation in environments up to 150°C is also available.

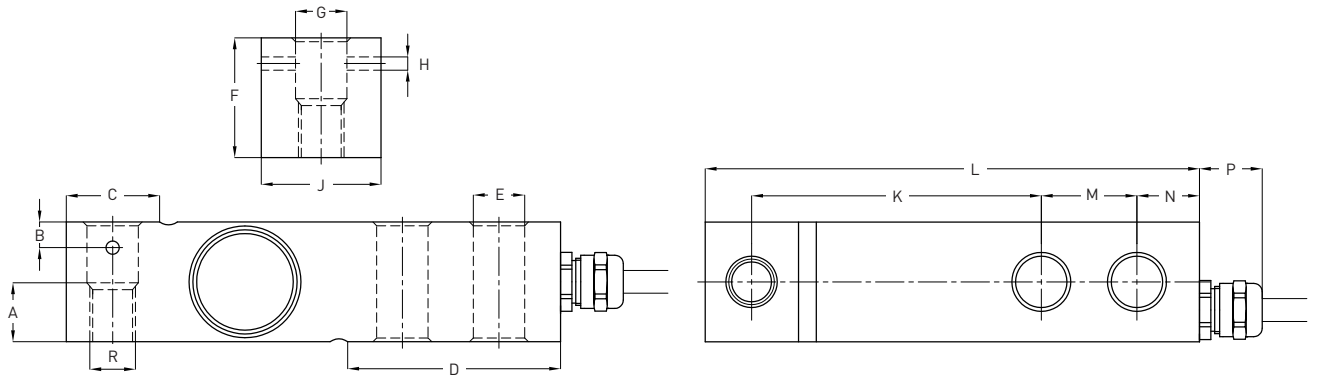
- Stainless steel load sensor
- Fully welded and hermetically sealed construction, protected to IP68/IP69K
- High durability polyurethane cable
- 3000 divisions OIML R60 Class C
- Calibrated in mV/V/ Ω
- High integrity cable entry
- 5 year warranty
- Optional load feet and mounting assemblies, including patented LeverMount®
- Available in high temperature version
- Available in  version
- Parylene coated option



www.thames-side.com

350i

technical specification...



Model 350i ATEX Certification

Code	Temperature Class	Parameters	Application
II 1 GD Ex ia II CT4..T6 Ga IP68T85°C Ex ia IIIC T135°C T85°C Da Ex ta IIIC T85°C Da	T4	Pi = 1.3W	Gas Zones 0, 1, 2 with safety barriers Dust Zones 20, 21, 22 without safety barriers
	T5	Pi = 0.8W	
	T6	Pi = 0.53W	

Dimensions

Range (kg)	300 - 2000	3000 - 5000
A	15	-
B	6.5	-
C	24.6	37
D	56	76
E	13.5	20.5
F	31.5	48
G	13.5	20.5 thru'
H	3.5	-
J	31.5	41.5
K	76.2	95.2
L	130	171.5
M	25.4	38.1
N	15.8	19
P	18	18
R	M12	-

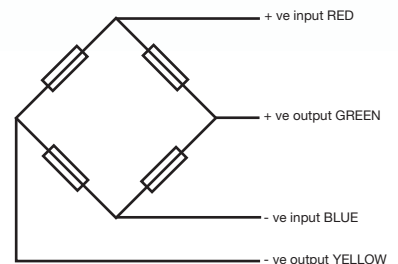
350i Load Cell

	Load cell specification	Units
Load Cell Capacities	300, 500, 750, 1000, 1500, 2000, 3000, 5000	kg
Rated Output	2	mV/V**
Accuracy Class	3000	n.OIML
Combined Error	< +/- 0.017	%*
Non-repeatability	< +/- 0.015	%*
Creep (30 minutes)	< +/- 0.016	%*
Temperature Effect on Zero Balance	< +/- 0.002	%* / °C
Temperature Effect on Span	< +/- 0.0012	%* / °C
Compensated Temperature Range	-10 to +40	°C
Operating Temperature Range	-30 to +70	°C
Safe Overload	150	%*
Ultimate Overload	200	%*
Zero Balance	< +/- 2	%*
Input Resistance	400	Ω +/- 20
Output Resistance	350	Ω +/- 3
Insulation Resistance	> 5000	MΩ @ 100V
Recommended Supply Voltage	10	V
Maximum Supply Voltage	15	V
Environmental Protection	IP68 / IP69K	
Cable length	5	m
Maximum deflection at full load	0.2 to 0.4	mm
Nominal Shipping Weight (300 - 2000kg)	0.9	kg
Nominal Shipping Weight (3000 - 5000kg)	2.2	kg

*With respect to rated load

** Pre-corner adjustment optimised at +/- 0.05% by output current calibration

Dimensions in mm



Electrical Connections

Via 4 wire, 5.7mm diameter, screened polyurethane cable.

Screen not connected electrically to load cell.

DISTRIBUTED BY:



THAMES SIDE SENSORS LTD

Unit 10, io Trade Centre, Deacon Way, Reading, Berkshire RG30 6AZ

tel: +44 (0) 118 941 1387

fax: +44 (0) 118 941 2004

sales@thames-side.co.uk

www.thames-side.com



Issue: 350i.11.15

Our policy is one of continuous product enhancement. We therefore reserve the right to incorporate technical modifications without prior notification.

