

## 3/8 In, 3/8 Out, 3/8 Exhaust QE3

*Humphrey*

[www.humphrey-products.com](http://www.humphrey-products.com)

*Quick Exhausts enhance the performance of pneumatic equipment, such as air cylinders and actuators, air clutches, and air brakes. They immediately redirect the exhausting air to atmosphere or to tank, by sensing pressure differential.*

*Achieve greater air cylinder and actuator cycle speeds with Quick Exhausts.*

*Quick Exhaust valves may permit use of reduced size directional control valves.*

*Humphrey Super Quick Exhausts may be used as shuttle valves, check valves, or flow control valves. Check with an authorized representative for installation tips.*

*Internal molded rubber shuttle provides long, trouble free cycle life. Out performs flat-disk diaphragm types of competitive designs.*

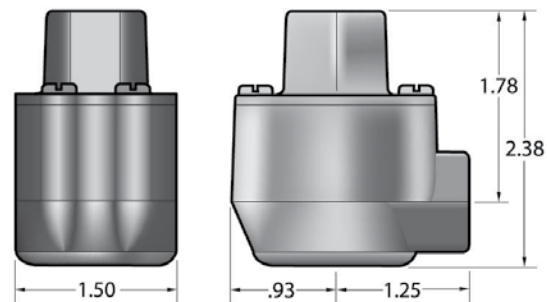
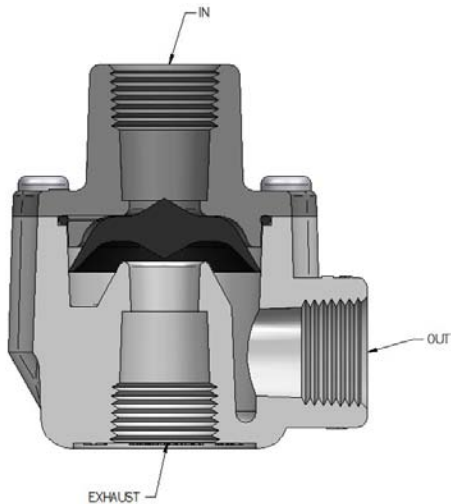
*Molded rubber shuttle is a specially contoured design with an enhanced seat area. Prevents rupture. Achieves fast response and greater flow.*

*The Humphrey Super Quick Exhaust Valve series is available in seven models.*

Miniature: 10-32 UNF  
Small: 1/8 PIPE, 1/4 PIPE  
Mid-Size: 1/4 PIPE, 3/8 PIPE  
Large: 1/2 PIPE, 3/4 PIPE



CFM @ 100 PSIG	155.0 CFM
Cv	2.6
Other Materials	Zinc & Aluminum Die Cast, Zinc Plated Steel Fasteners
Seal Materials	Buna-N NBR Seals, Polyurethane
Type	Quick Exhaust
Lubrication	Not Required
Maximum Cycle Rate (cycles/min)	600.0 CPM
Weight (oz unless specified)	4.64 OZ
EXHAUST	3/8 PIPE IN
OUT	3/8 PIPE
Port Size	3/8 PIPE
Pressure Range	0.0 - 150.0 PSIG
Ambient Temperature Range	-25 - 180 F



### HOW TO ORDER HUMPHREY VALVES AND ACCESSORIES

- Go to [www.humphrey-products.com](http://www.humphrey-products.com)
- Select "Find A Distributor" and input your information to locate a distributor nearest you.
- Or, call Customer Service at 1-800-477-8707 for the name and phone number of your local distributor.

*Humphrey* HUMPHREY PRODUCTS ARE SOLD WORLD-WIDE THROUGH AUTHORIZED DISTRIBUTORS

### HOW TO OBTAIN A 3D CAD DRAWING

- Go to [www.humphrey-products.com](http://www.humphrey-products.com)
- Using Internet Explorer 6.0 or later for Windows, select "Online Product Guide"
- Follow the steps to choose the valve you need.
- At "Product Overview" section, select "IE CAD VIEW" to download.

Information on this spec sheet is considered to proprietary to Humphrey. Specifications subject to change without notice. Please read WARNING and GENERAL GUIDELINES before using any Humphrey products.