

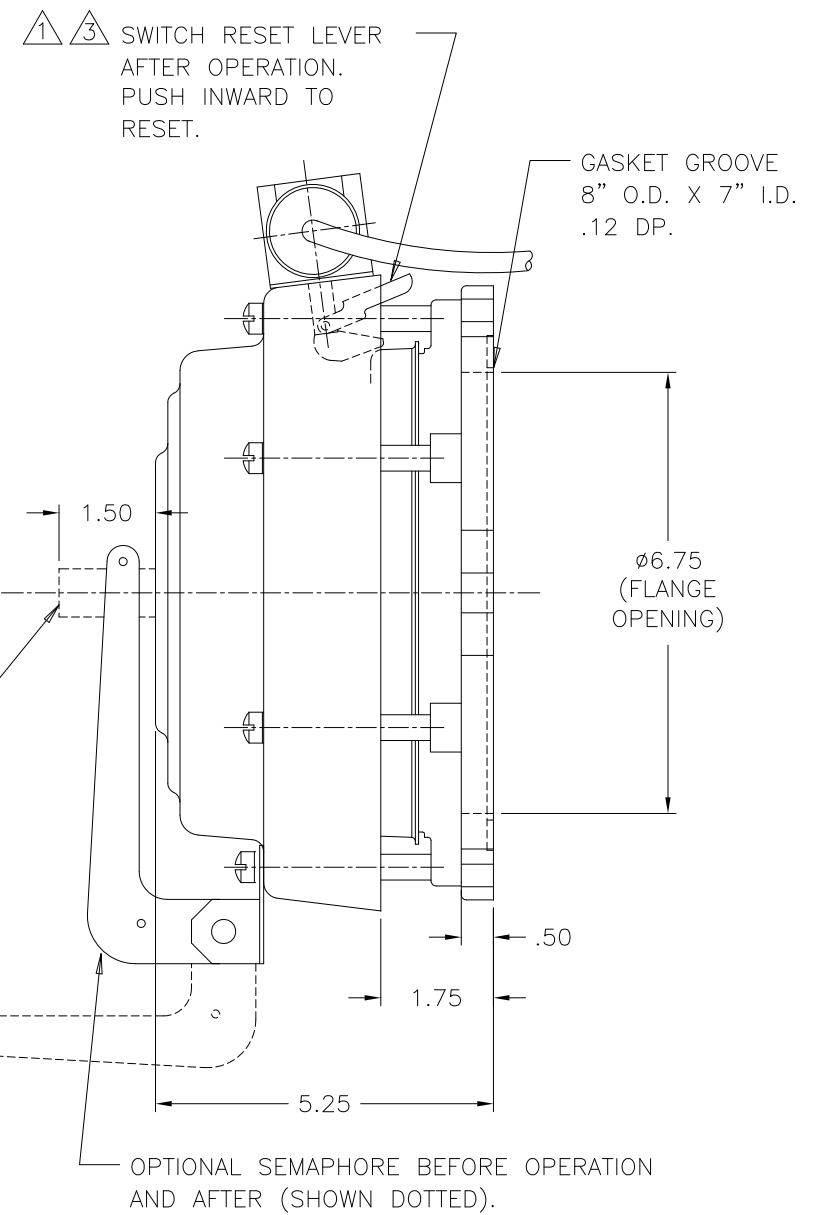
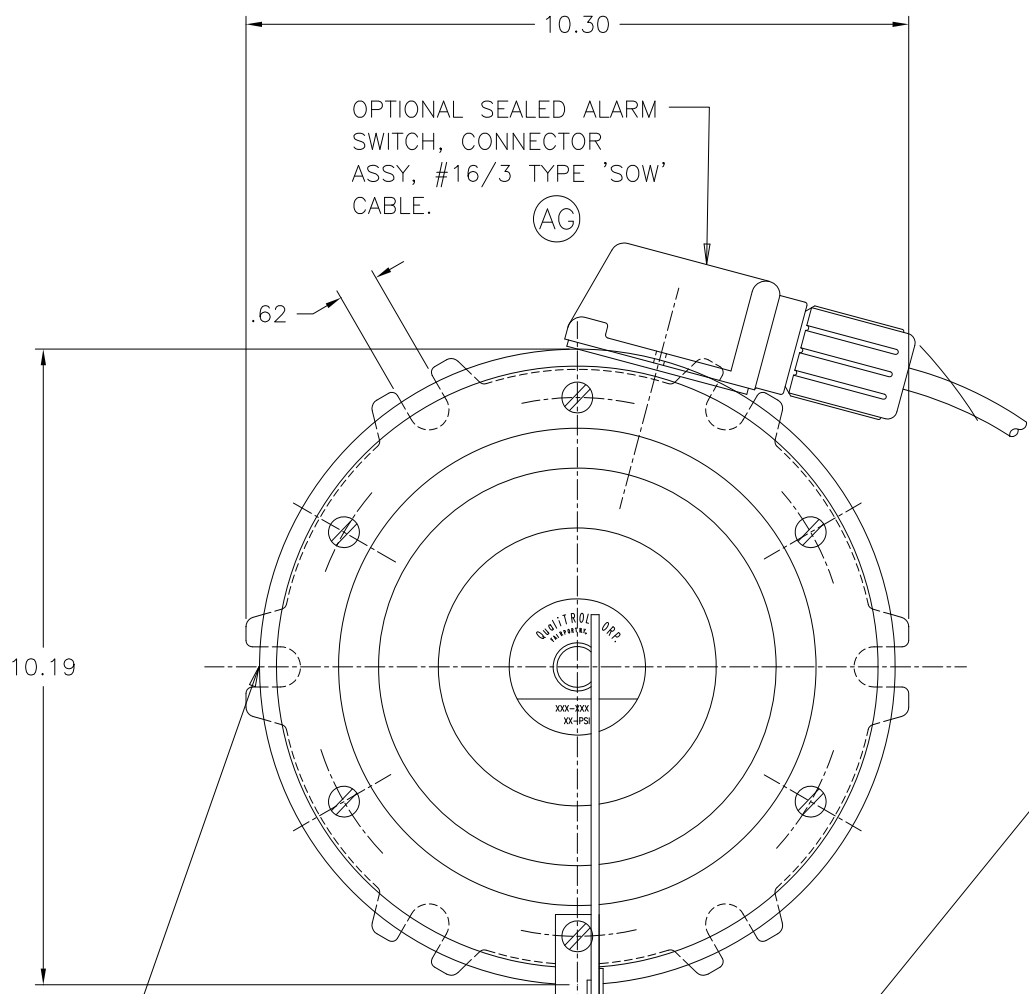
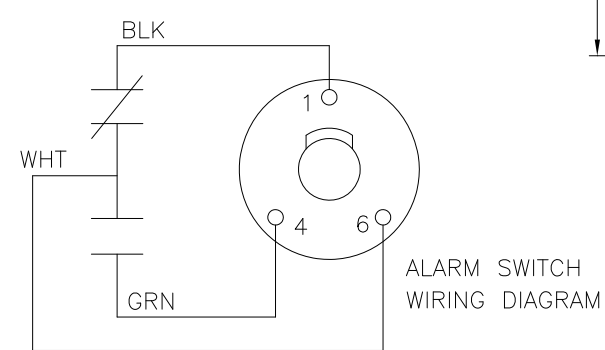
NOTICE
 THIS DRAWING IS THE PROPERTY OF QUALITROL CORPORATION AND IS LOANED ONLY ON THE CONDITION THAT IT WILL BE USED TO FACILITATE THE PURPOSE FOR WHICH INTENDED AND NOT BE REPRODUCED, COPIED OR OTHERWISE DISPOSED OF, AND IS NOT TO BE USED IN WHOLE OR PART FOR FURNISHING INFORMATION RELATIVE TO THE MAKING OF DRAWINGS, PARTS APPARATUS OR PARTS THEREOF, EXCEPT BY WRITTEN ORDER FROM QUALITROL CORPORATION.

MODEL NO. 208-60

NOTES:

1. BLACK AND WHITE ARE NORMALLY CLOSED WHEN ALARM SWITCH IS MOUNTED AND ARMED AS SHOWN.
2. WHEN DEVICE OPERATES: BLACK AND WHITE ARE OPEN GREEN AND WHITE ARE CLOSED
3. WHEN THE SWITCH RESET LEVER IS MAN. DEPRESSED: BLACK AND WHITE ARE CLOSED GREEN AND WHITE ARE OPEN
4. FINISH: ASA #70 LT GRAY EPOXY

SWITCH RATING
 15 AMP @ 125,250,480 VAC
 .5 AMP @ 125 VDC } NON-INDUCTIVE
 .25 AMP @ 250 VDC }



1/2 DIA INDICATOR NORMALLY FLUSH -- EXTENDS AS SHOWN DOTTED AFTER DEVICE HAS OPERATED TO RESET...PUSHDOWN.

LET	DATE	ALTERATION	C.N.
-	4-6-04	ADDED "OPTIONAL" TO SEMAPHORE CALLOUT	24381
-	06-08-98	DELETED PPS-65 NOTE; 1.50 WAS 1.81; UPDATED A-SIZE FORMAT	19508

QUALITROL
CORPORATION

DIMENSIONS AND TOLERANCES IN ACCORDANCE WITH ASME Y14.5M-1994

TITLE:	PRESSURE RELIEF DEVICE
MODEL NO.	208-60