

# Technical Data

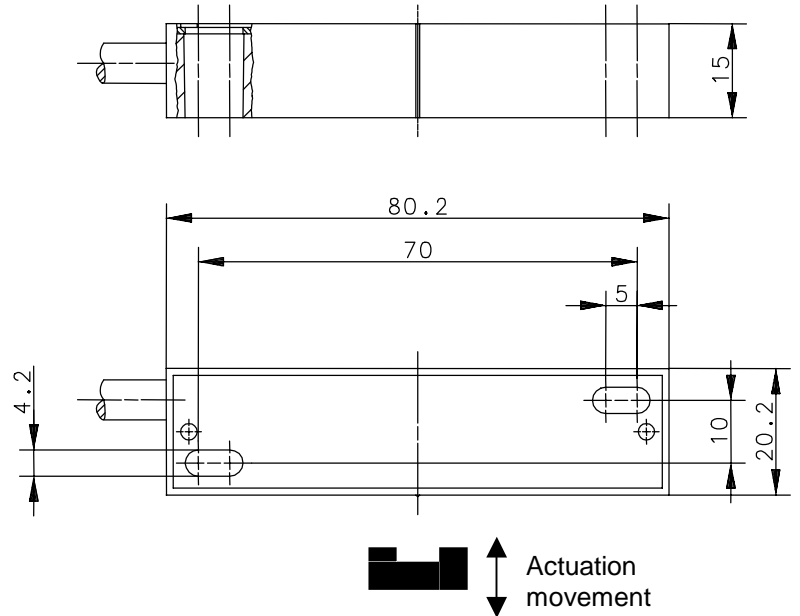
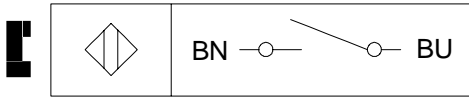
## Magnetic switch

### Series MA-02

Type designation **MAA-0212-FT-5**

Item number **6314202522**

#### Wiring diagram



#### Electrical data

Assured operating distance	S <sub>a</sub>	18mm
Switching element function		Make function
Reed contact:		
max. switching voltage		250V
max. switching current		3,0A
max. switching capacity		100VA
mechanical lifetime		3x10 <sup>8</sup> switchings, however, according to load resetability
Repeat accuracy	R	± 0,1mm
Shock		under same geometrical conditions at the same temperature
Vibration		50g (11ms)
Corresponding magnet		50 ... 500Hz
		TA-21-02 ( 6305121064 )

#### Mechanical data

Enclosure	GDAISi 12, red
Ambient air temperature	-40° C ... +150° C
Type of protection	IP67 (NEMA 4) according to IEC 529, EN 60529
Termination type	cable 3 x 0,75 mm <sup>2</sup> x 5m ±5%, outer jacket silicon black
Assembly position	optional

This document will not become the contractual basis; the details included herein do not constitute any descriptions of expected conditions, so that warranties/claims for defects on account of possible variations of the actual from the here described condition are excluded. Subject to modifications and amendments.

Date of issue: 12.11.2004 / Page 1 of 1  
 Document: 6314202522\_en / Last update: 1 / 0690-04