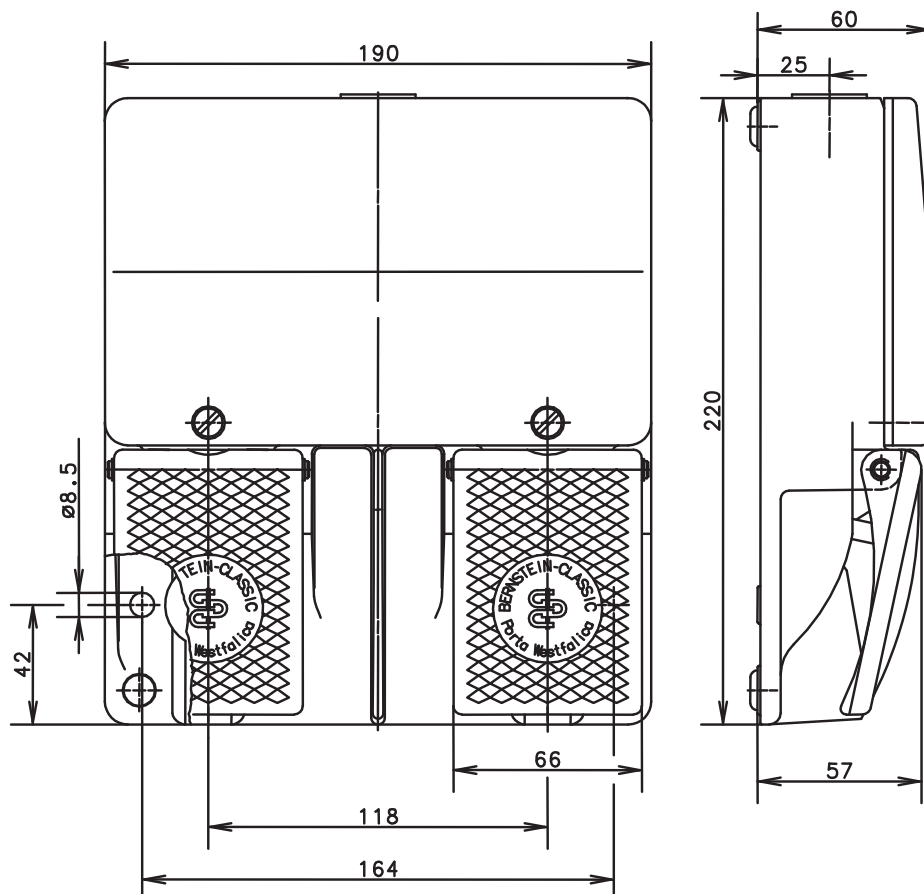


**Foot-switch**  
Series F2

Description **F2-SU1MIRG/U2Z**

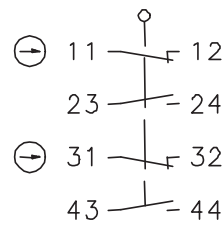
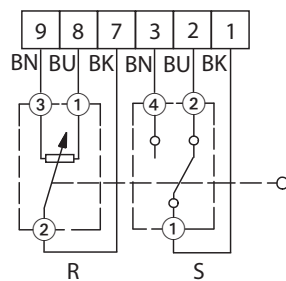
Article number **6162630751**



**Operating symbol**

Pedal left

Pedal right



Electrical data			
Protection class	I		
<b>Potentiometer Module</b> (Pedal left)	Microswitch (changeover contact)		Potentiometer
Rated current	I	5 A	-
Contact current	I	-	max. 0,1 µA
Load	P	-	0,5 W / 40 °C
Rated voltage	U	250 V AC	$U_{max} = \sqrt{P \times R}$
Ferrule resistor	R	-	10 K ± 20 %
Short-circuit protective device	Fuse 2 A gG		-
Switch element (Pedal right)			
Rated insulation voltage	$U_i$	400 V AC	
Conv. thermal current	$I_{the}$	10 A	
Rated operational voltage	$U_e$	240 V	
Utilization category	AC-15, $U_e / I_e$ 240 V / 3 A		
Direct opening action	⊕	acc. to IEC/EN 60947-5-1, annex K	
Short-circuit protective device	Fuse 2 A gG		

Mechanical data			
Enclosure	AL		
Cover	AL		
Actuator	2 pedals (thermoplastic)		
Ambient air temperature	-25 °C to +80 °C		
Contact type	Pedal left Pedal right	1 changeover ,potentiometer (10kΩ), 4 NC, 4 NO (Zb)	
Operating force	ca. 10 N (pedal centre)		
Mechanical life	10x10 <sup>6</sup> operatings		Potentiometer 5x10 <sup>4</sup> rotation cycles
Switching frequency	max. 20 operating cycles/min		
Assembly	2 screws M8		
Connection	Pedal left Pedal right	connecting terminal M2 contactscrews M3,5	
Number of connections	Pedal left Pedal right	6 x M2 8 x M3,5	
Conductor cross-sections	Pedal left  Pedal right	Solid: ≤ 1,5 mm <sup>2</sup> Litz wire with or without ferrules: ≤ 1 mm <sup>2</sup> Solid: 0,5 - 1,5 mm <sup>2</sup> Litz wire with or without ferrules: 0,5 - 1,5 mm <sup>2</sup>	
Protection ground	2 x M4		
Cable entrance	1 x M20 x 1,5		
Weight	≈ 1,7 kg		
Protection type	IP65 acc. to IEC/EN 60529		

Standards	
	VDE 0660 T100, DIN EN 60947-1, IEC 60947-1
	VDE 0660 T200, DIN EN 60947-5-1, IEC 60947-5-1
Micro switch	DIN EN 61058-1 (VDE 0630 Teil 1): 1993-05
	DIN EN 61058-1: 1992 ÷ A1: 1993-05

EU Conformity
acc. to directive 2006/95/EC

Notes
<p>Unused thread holes are closed with thread plugs.                      The degree of protection specified (IP code) applies only to a properly closed protective guard and the use of an equivalent cable gland or thread plug.</p> <p>If the right pedal depressed, is the potentiometer preset on <math>\leq 100 \Omega</math>.                      (measured between 1 and 2 at the potentiometer)</p>