

31

3111 01 G

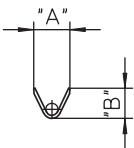
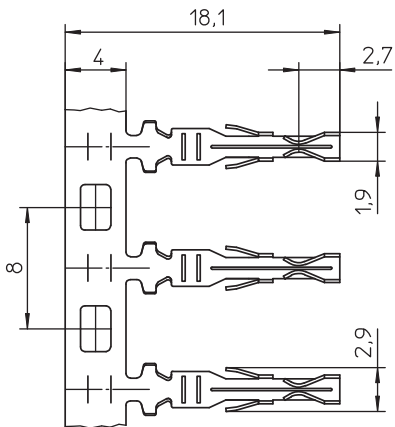
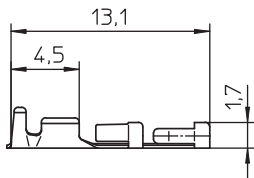
Minimodul™ connectors, pitch 2.5 mm



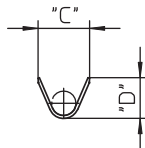
Minimodul™ crimp contact, on reel

31

3111 01 G



*a



*b

Environmental conditions

Temperature range -25 °C/+100 °C

Materials

Contact spring CuSn, tin-plated
other finishings on request

Mechanical data

Insertion force/contact ≤ 4.0 N
Withdrawal force/contact ≥ 0.5 N
Retaining force contact in insulating body ≥ 50 N
Further data see suitable connector housing

Connectable conductors for crimp area

Section

<td>0.10–0.25 mm ² </td>

Insulation diameter 2.1 mm

Electrical data (at T_{amb} 20 °C)

Contact resistance ≤ 5 mΩ
Rated current 5.0 A (T_{amb} 30 °C)
2.5 A (T_{amb} 70 °C)
Further data see suitable connector housing

Associated products

Accessories

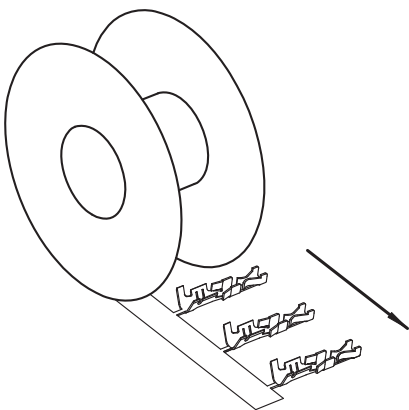
[3114](#) [3823](#)

Harnessing equipment

[CAW31-01](#) [CZB31-01](#) [VARICON 7000-DC-CR](#)
[VARICON 7000-Eco-CR](#) [VARICON 7000-Inline-CR](#) [VARICON 7000-RD-CR](#)

31

3111 01 G



*a crimp at conductor

*b crimp at insulation

31

3111 01 G

Designation	Pole Number	PU (Pieces)	MDQ (Pieces)	Dimensions			
				A (mm)	B (mm)	C (mm)	D (mm)
3111 01 G	1	14000	14000	1.5	1.7	2.2	2.0
3111 01 G500	1	500	5000	1.5	1.7	2.2	2.0

Packaging:
on reel