

ACTUATOR LA32

Features and options:

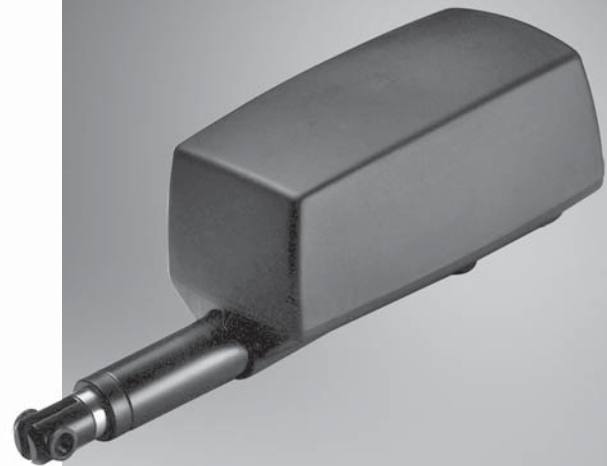
- 24V DC permanent magnet motor
- Thrust up to 6000 N (with ball screw)
- Stainless steel piston rod
- High-strength plastic housing protects motor and gears
- Elegant and compact design with small installation dimensions
- Protection class: IPX1
- Colour: black
- 2250 mm straight cable with 6.3 mm jack plug
- Low noise level: 46 dB (A); measuring method DS/EN ISO 3746, actuator not loaded
- LA32K with ball screw and double-acting brake (i.e. push and pull/both directions)
- Protection class: IPX5 or IPX6
- Reed-switch for exact positioning (8 pulses per spindle revolution)
- LA32 with 5mm. pitch F: Manual quick release
- LA32 with 5mm. pitch FH: Manual quick release with dampened movement
- Mechanical splines function (push only)
- Electrical splines function, built-in micro-switch in back fixture, the actuator can therefore only be used for push. (Only on 01 and 02 back fixture)
- LA32K with ball screw and double-acting brake (i.e. push and pull/both directions)
- LA32KAS with ball screw and safety nut
- LA32KSM with ball screw, safety nut and mechanical splines
- Available with 0.2 m or 0.4 m coiled cable
- LA32JKSM available with 2-speed facility for the LINAK JUMBO SYSTEM
- CS32; electronic limit switch (built-in)

Usage:

- Duty cycle: Max. 10% or 2 minutes continuous use followed by 18 min. not in use
- Ambient temperature +5° to +40° C
- For use with LINAK control boxes CB8, CB12, CB14 and CS16 PCB or internal CS32 PCB
- Should LA32 be used with a non LINAK control unit, please ask the nearest LINAK representative for further details

Accessories:

- CS16; electronic limit switch
- Optical encoder
- SLS: safety limit switch



MEDLINE
IMPROVING EFFICIENCY
TECHLINE
IMPROVING FLEXIBILITY

The LA32 is a powerful actuator that can be supplied with a ball screw spindle to give outstanding performance. The ideal choice for a wide range of applications including adjustment of hospital beds.

The LA32 has many special options including a safety nut, splines, quick release (F) and an optional protection class up to IPX6 standard.



Maximum load in pull = 2000N

Technical specifications:

Type	Spindle pitch (mm)	Thrust max. Push [N]	*Self-lock Max. [N]*	Stroke length [mm]								Typical Speed 0/full load [mm/s]	Typical amp. 24V at full load [A]
				100 ^P	150 ^P	200 ^P	250 ^P	300 ^P	350	400	400 ^P		
321xxx+00xxx4xx	3	4000	4000	100 ^P	150 ^P	200 ^P	250 ^P	300 ^P	350	400	7/5.5	3.5	
322xxx+00xxx4xx	6	3000	2000	100 ^P	150 ^P	200 ^P	250 ^P	300 ^P	350 ^P	400 ^P	13.8/13 (2000N)	3 (2000N)	
322xxx+40xxx4xx	6	3000	3000	100 ^P	150 ^P	200 ^P	250 ^P	300 ^P	350	400	13.6/8.5	4.5	
32Kxxx+x0xxx4xx	4	6000	6000	-	150 ^P	200 ^P	250 ^P	300 ^P	350	400	8.7/6.8	4.7	
32Kxxx+10xxx4xx	4	6000	6000	-	150 ^P	200 ^P	250 ^P	300 ^P	350	400	8.7/6.8	4.7	
32Kxxx+30xxx4xx	4	6000	6000	-	-	-	-	300 ^P	350	400	8.7/6.8	4.7	
328xxF+x0xxx4xx	5	2800	2800	100 ^P	150 ^P	200 ^P	250 [#]	300 [#]	-	-	11/9.8	3.5	
32Kxxx+30xxx3xx	4	7500	6500	-	-	-	-	300 ^P	350	400	15/6.5 (7500N)	9.5 (7500N)	

The above measurements are made in connection with a CB12, the LA32JKSM with a CBJ1 high speed.

P = Stroke lengths where potentiometer is possible as standard

* LINAK control boxes are designed so that they will short-circuit the motor terminals (poles) of the actuator(s) when the actuator(s) are not running. This solution gives the actuator(s) a higher self-locking ability. If the actuator(s) are not connected to a LINAK control box the terminals of the motor must be short-circuited to achieve the above mentioned self-locking ability.

= Not with spindle potentiometer (stroke length max. 220 mm)

K = Ball screw

KAS = Ball screw with safety nut

KSM = Ball screw with splines and safety nut

R = Reed-switch

F = Manual quick release

FH = Manual quick release with dampened movement

KAS and **KSM** are only available on LA32K (with ball screw)

LA32

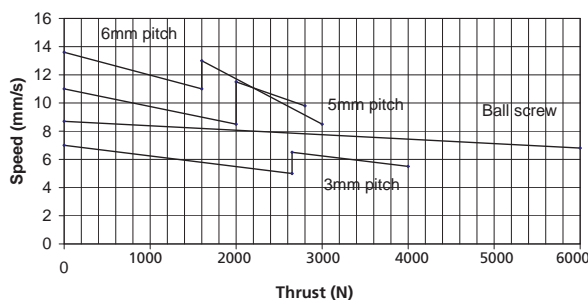
Ordering example:

32 1 1 0 0 + 1 0 2 5 0 4 0 0

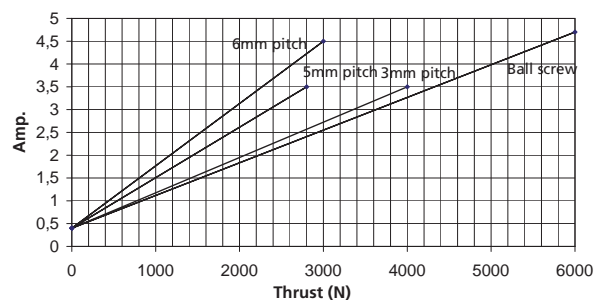
32	1	1	0	0	+	1	0	2	5	0	4	0	0	
														Cables:
														Jack cable (General tolerance +/- 0.07m) 0 = *Straight 2.3 m 5 = Straight without plug 1 m (CS) always black 1 = *Straight 1.05 m X = *Other cable/ length 2 = *Coiled 0.4 m * always the same colour as the actuator 3 = *Coiled 0,2 m 4 = Straight without plug 0,5 m (Potentiometer) always black
														Protection Class:
														0 = IPX1 1 = IPX5 2 = IPX6 Washable
														Motor type:
														0 = 24V 4 = 24V L-motor standard motor, will always have to 1 = 24V S-motor be chosen for use with a LINAK control box. 2 = 12V S-motor 5 = 12V motor 3 = 24V Jumbo motor
														Stroke length:
														XXX = mm Max. 400 mm for 3-6 mm pitch (up to 600 mm with special (20%) items Max. 500 mm for 9-12 mm pitch (up to 600 mm with special (20%) items Min. 100 mm
														Install. dim.
														0 = Standard X = Other install. dim.
														Option:
														1 = Safety nut RECOMMENDED 0 = None 4 = Brake 2 = Steel splines 5 = Brake with safety nut 3 = Steel splines with safety nut
														Colour:
														+ = Grey - = Black
														Option:
														0 = None F = Quick release (F) H = Quick release, dampened movement(FH)
														Positioning C/S
														0 = None
														Optical encoder:
														P = Potentiometer 1 kohm R = Reed switch L = Potentiometer 5 Kohm D = Optical encoder T = Potentiometer 10 Kohm Y = CS 32A mount. (Not IP65 / 66) Z = CS 32B mount. C = CS 32C mount.
														Back Fixture:
														1 = Standard 5 = Large standard 2 = Turned 90 degrees 6 = Large turned 90 degrees A = Standard with EI-splines B = Turned 90 degrees with EI-splines
														Spindle type:
														1 = 3 mm (1 threaded) 7 = 12 mm (4-threaded) 2 = 6 mm (2 threaded) 8 = 5 mm (2-threaded) 3 = 9 mm (3 threaded) K = Ball spindle 4 = 4 mm (2 threaded) 5 = 2,5 mm (1 threaded)
														Actuator type:
														32 = LA32

Graphs:

LA32 speed v's load

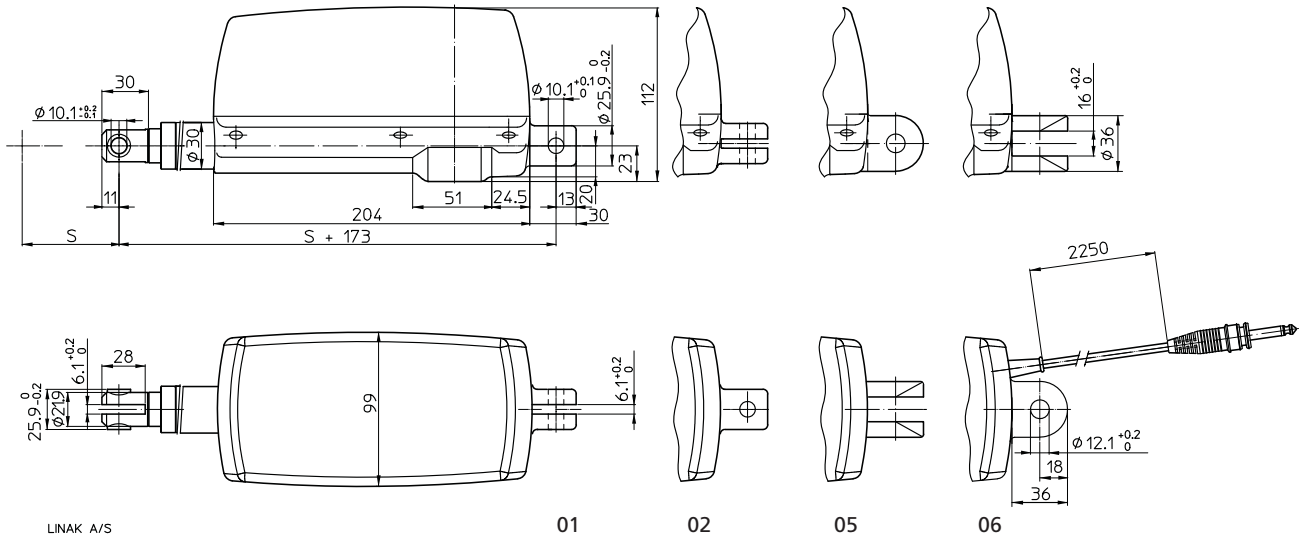


LA32 current v's load



Measurements are made in connection with a CB12

Dimension:

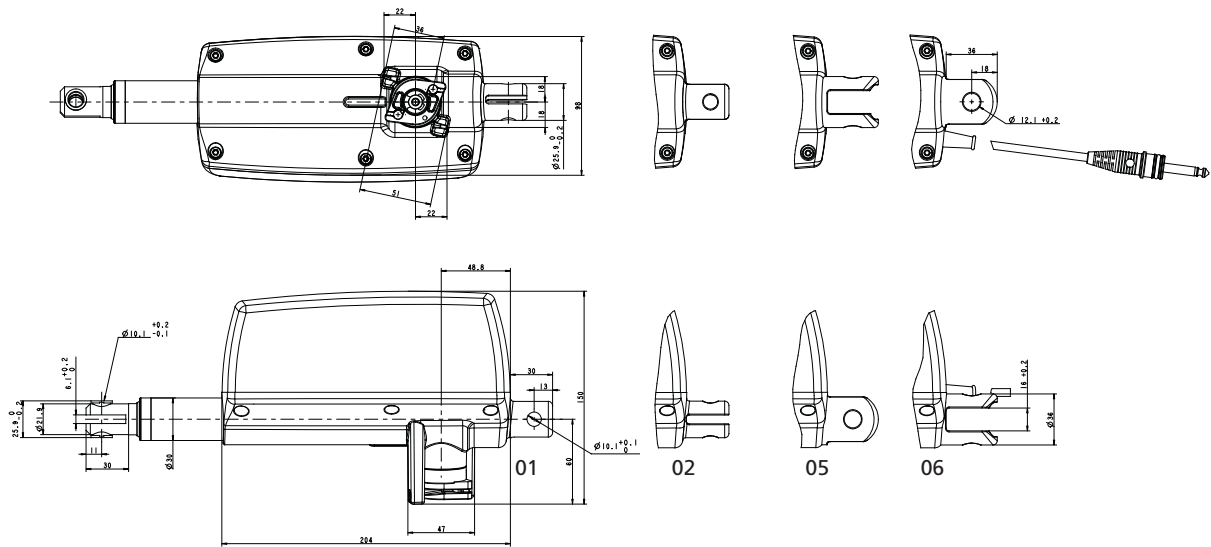


LINAK A/S
LA32001B

- Installation dimensions:**
- S + 173: (with/without safety nut)
 - S + 181: (LA323. with/without safety nut)
 - S + 184: with splines
 - S + 198: with splines and safety nut
 - S + 210: LA32K, LA32KAS, LA32 with safety nut
 - S + 215: with brake
 - S + 267: LA32KSM

3D view of the back fixture.
(here type "01" is shown.
Drawing no.: 0321200

LA32 with quick release:



- Install. dimensions:**
- S + 173: LA32.F
 - S + 196: LA32FH

Terms of use

The user is responsible for determining the suitability of LINAK products for specific application. LINAK takes great care in providing accurate and up-to-date information on its products. However, due to continuous development in order to improve its products, LINAK products are subject to frequent modifications and changes without prior notice. Therefore, LINAK cannot guarantee the correct and actual status of said information on its products. While LINAK uses its best efforts to fulfil orders, LINAK cannot, for the same reasons as mentioned above, guarantee the availability of any particular product. Therefore, LINAK reserves the right to discontinue the sale of any product displayed on its website or listed in its catalogues or other written material drawn up by LINAK. All sales are subject to the Standard Terms of Sale and Delivery for LINAK. For a copy hereof, please contact LINAK.