



# SOUTHERN CALIFORNIA HYDRAULIC ENGINEERING CORPORATION

Designer and Manufacturers of Hydraulic & Pneumatic Equipment

1130 COLUMBIA STREET, BREA, CALIFORNIA 92821 - WWW.SCHYDRAULIC.COM

## 10-5 SERIES PUMP: "LUBE" AND "NON-LUBE" AIR MOTOR ASSEMBLIES, BUNA.

DOC NO. D15147

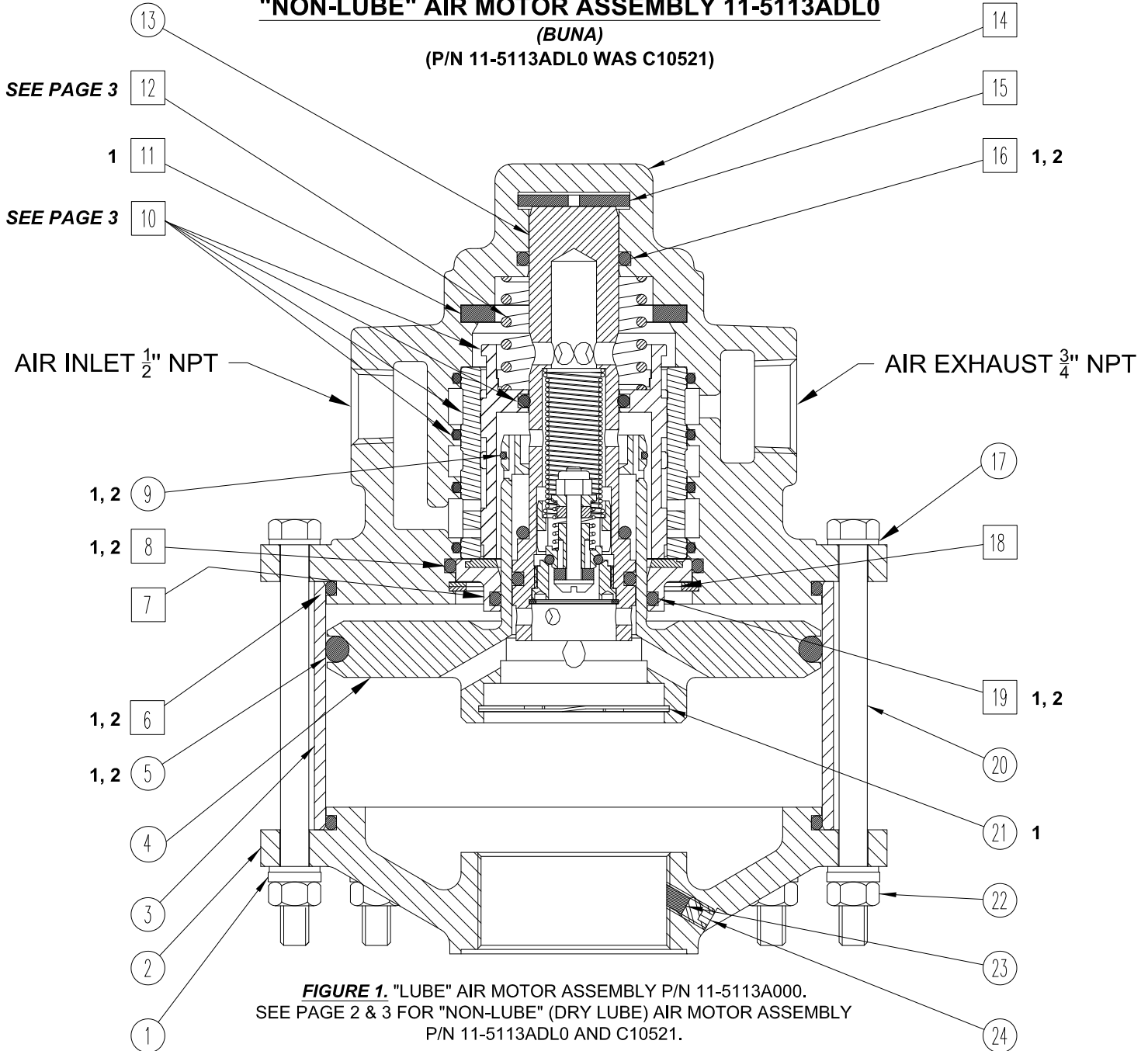
REV. D, 01 FEB 2021, M.E.

PAGE 1 OF 4

### "LUBE" AIR MOTOR ASSEMBLY 11-5113A000 "NON-LUBE" AIR MOTOR ASSEMBLY 11-5113ADL0

(BUNA)

(P/N 11-5113ADL0 WAS C10521)



**FIGURE 1.** "LUBE" AIR MOTOR ASSEMBLY P/N 11-5113A000.  
SEE PAGE 2 & 3 FOR "NON-LUBE" (DRY LUBE) AIR MOTOR ASSEMBLY  
P/N 11-5113ADL0 AND C10521.

#### NOTES: "LUBE" AIR MOTOR ASSY. 11-5113A000

1. INCLUDED IN 11-5124N000 AIR MOTOR REPAIR KIT.
2. INCLUDED IN 11-5142N000 AIR MOTOR PACKING SET.
3. REQUIRES LUBRICATOR INSTALLED IN DRIVE-AIR LINE.

XX INCLUDED IN 11-5154A000 HEAD ASSEMBLY.

#### NOTES: "NON-LUBE" AIR MOTOR ASSY. 11-5113ADL0

1. INCLUDED IN 11-5124NDL0 AIR MOTOR REPAIR KIT.
2. INCLUDED IN 11-5142NDL0 AIR MOTOR PACKING SET.
3. P/N 11-5113ADL0 WAS C10521.
4. P/N 11-5124NDL0 WAS R10102.
5. P/N 11-5142NDL0 WAS R10103.
6. DOES NOT REQUIRE LUBRICATOR INSTALLED IN DRIVE-AIR LINE.

XX INCLUDED IN 11-5154ADL0 HEAD ASSEMBLY.



# SOUTHERN CALIFORNIA HYDRAULIC ENGINEERING CORPORATION

Designer and Manufacturers of Hydraulic & Pneumatic Equipment

1130 COLUMBIA STREET, BREA, CALIFORNIA 92821 - (714) 257-4800 - FAX (714) 257-4810

## 10-5 SERIES PUMP: "LUBE" AND "NON-LUBE" AIR MOTOR ASSEMBLIES, BUNA.

A. "LUBE" AIR MOTOR ASSEMBLY P/N 11-5113ADL0 (REFER TO ITEM 10A & 12A).

B. "NON-LUBE" (DRY LUBE) AIR MOTOR ASSEMBLY P/N 11-5113ADL0 (REFER TO ITEM 10B & 12B).

DOC. NO. D15147, REV. D, 01 FEB 2021, M.E.

PAGE 2 OF 4

ITEM NO	QTY	PART NO	DESCRIPTION	REFERENCE NO.
1	8	P10212-031	WASHER-LOCK	----
2	1	11-5007A000	END	10-450-7
3	1	11-5181P000	CYLINDER-AIR	10-450-181
4	1	11-5048A000	PISTON-AIR	10-450-48
5	1	P11000-429	O-RING	12-6227N056
6	2	P11000-252	O-RING	12-6230N030
7	1	11-5047N000	BEARING ASSEMBLY	10-450-47
8	1	P11000-231	O-RING	12-6230N009
9	1	P11000-028	O-RING	12-8775N028
<b>10A*</b>	1	11-5178A000	"LUBE" APA VALVE ASSY. (SEE PAGE 3)	10-450-178
<b>10B*</b>	1	11-5178ADL0	"NON-LUBE" (DRY LUBE) APA VALVE ASSY. (SEE PAGE 3)	10-450-178DL
11	1	11-5057P000	BUMPER	10-450-57
<b>12A*</b>	1	11-5005M000	SPRING, RETURN (USE W/ITEM 10A, SEE PAGE 3)	10-450-5
<b>12B*</b>	1	11-5005M002	SPRING, RETURN (USE W/ITEM 10B, SEE PAGE 3)	10-450-5-2
13	1	11-5060A001	PILOT VALVE ASSEMBLY	10-450-60-1
14	1	11-5112A000	HEAD	10-450-112
15	1	11-5012N000	BUMPER	10-450-12
16	1	P11000-214	O-RING	12-6227N019
17	16	P10214-031	WASHER-FLAT	----
18	1	12-R262S000	RING-RETAINING	RRT-262
19	1	P11000-223	O-RING	12-6230N001
20	8	P10231	BOLT-HEX	----
21	1	12-R200S000	RING-RETAINING	RRT-200
22	8	12-31CNFH1Z	NUT-HEX	----
23	1	11-5172N000	PLUG	10-450-172
24	1	P10238	SCREW-SET, HEX-SOCKET	12-25C313CPSS

### \* ITEM 10A - "LUBE" APA VALVE ASSEMBLY, BUNA.

P/N 11-5178A000

(SEE PAGE 3 FOR DETAILS)

ITEM NO	QTY	PART NO	DESCRIPTION	REFERENCE NO
10A.1	1	P11000-214	O-RING	12-6227N019
10A.2	1	11-5177A000	PISTON, APA VALVE	10-450-177
10A.3	1	11-5146A000	SLEEVE, APA VALVE	10-450-146
10A.4	4	P11000-144	O-RING	12-8775N144

### \* ITEM 10B - "NON-LUBE" (DRY LUBE) APA VALVE ASSEMBLY, BUNA.

P/N 11-5178ADL0

(SEE PAGE 3 FOR DETAILS)

ITEM NO	QTY	PART NO	DESCRIPTION	REFERENCE NO
10B.1	1	P11000-214	O-RING	12-6227N019
10B.2	1	P10263-193	RING-RETAINING	----
10B.3	1	D10684	SEAL, DRY LUBE	----
10B.4	1	P11000-135	O-RING	12-8775N135
10B.5	1	D10818	PISTON, APA	----
10B.6	2	P11003-137	O-RING	----
10B.7	1	D10264	SLEEVE, APA	----
10B.8	4	P11000-144	O-RING	12-8775N144



# SOUTHERN CALIFORNIA HYDRAULIC ENGINEERING CORPORATION

Designer and Manufacturers of Hydraulic & Pneumatic Equipment

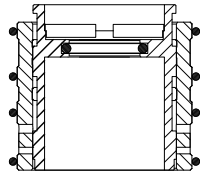
1130 COLUMBIA STREET, BREA, CALIFORNIA 92821 — WWW.SCHYDRAULIC.COM

## 10-5 SERIES PUMP: "LUBE" AND "NON-LUBE" AIR MOTOR ASSEMBLIES, BUNA.

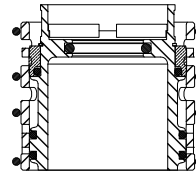
DOC NO. D15147.

REV. D, 01 FEB 2021, M.E.

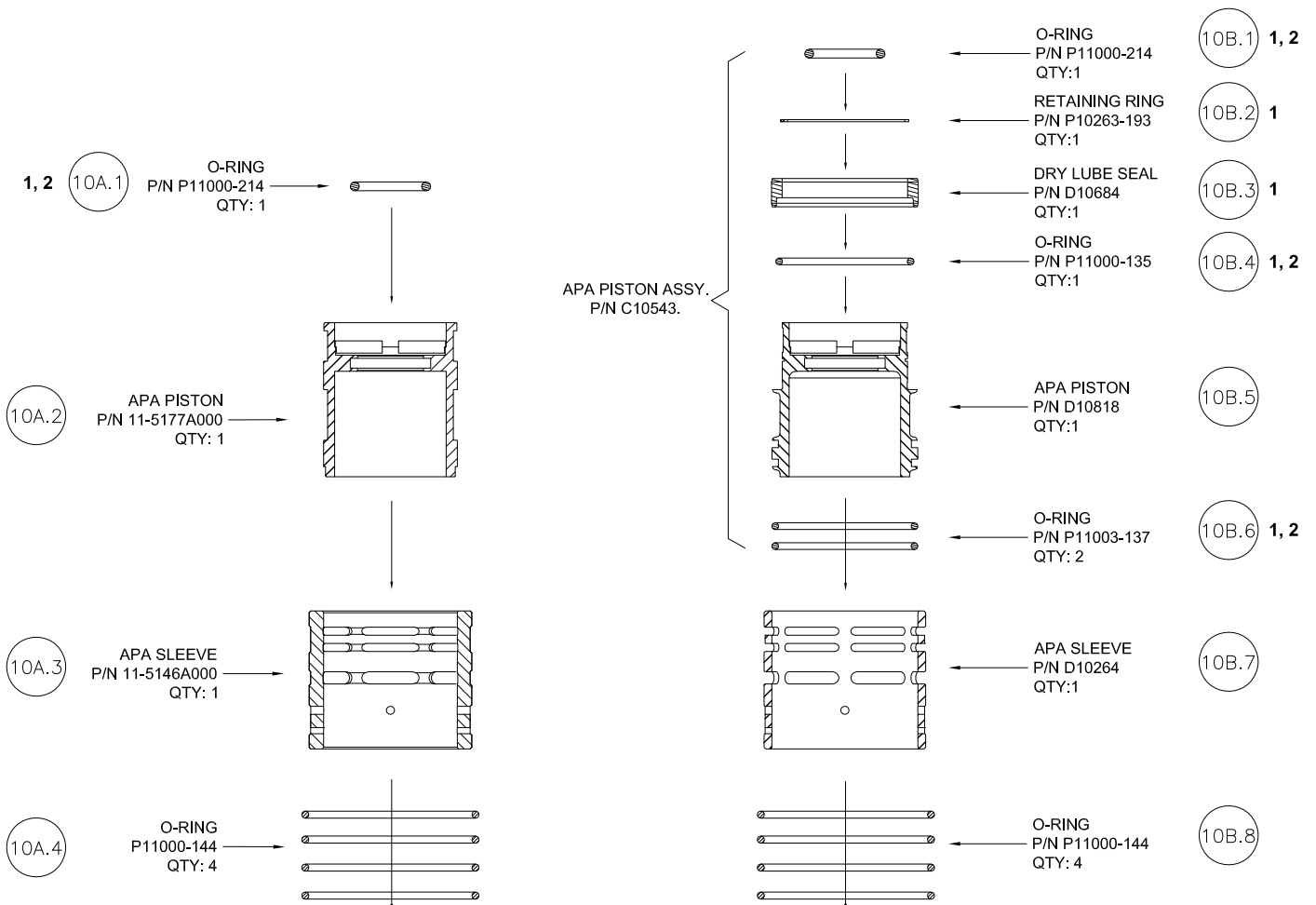
PAGE 3 OF 4



**FIGURE 2. "LUBE" APA VALVE ASSEMBLY**  
P/N 11-5178A000



**FIGURE 3. "NON-LUBE" APA VALVE ASSEMBLY**  
P/N 11-5178ADL0



**FIGURE 4. "LUBE" APA VALVE PARTS BREAK DOWN.**

**RELATED PART NUMBERS:**

- P/N 11-5005M000: APA VALVE RETURN SPRING .
- P/N 11-5113A000: AIR MOTOR ASSEMBLY.
- APA PISTON ASSEMBLY NOT AVAILABLE.

**NOTES:**

1. INCLUDED IN 11-5124N000 AIR MOTOR REPAIR KIT.
2. INCLUDED IN 11-5142N000 AIR MOTOR PACKING SET.

**FIGURE 5. "NON-LUBE" APA VALVE PARTS BREAK DOWN.**

**RELATED PART NUMBERS:**

- P/N 11-5005M002: APA VALVE RETURN SPRING
- P/N 11-5113ADL0: AIR MOTOR ASSEMBLY.
- P/N 11-5113ADL0 WAS C10521: AIR MOTOR ASSEMBLY.
- P/N 11-5178ADL0 WAS C10525: APA VALVE ASSEMBLY.

**NOTES:**

1. INCLUDED IN 11-5124NDL0 AIR MOTOR REPAIR KIT.
2. INCLUDED IN 11-5142NDL0 AIR MOTOR PACKING SET.



# SOUTHERN CALIFORNIA HYDRAULIC ENGINEERING CORPORATION

*Designer and Manufacturers of Hydraulic & Pneumatic Equipment*

1130 COLUMBIA STREET, BREA, CALIFORNIA 92821 — WWW.SCHYDRAULIC.COM

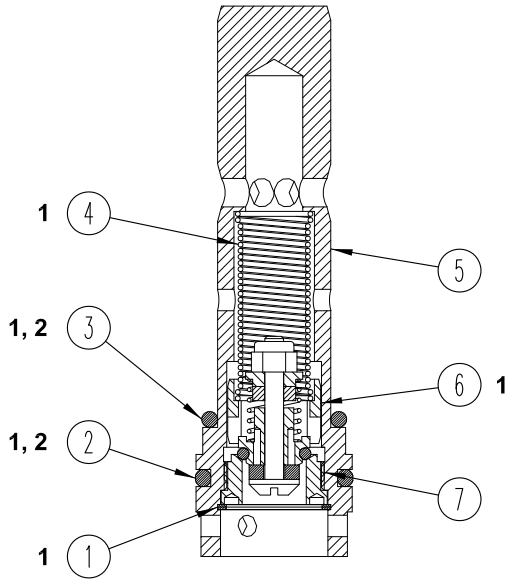
## 10-5 SERIES PUMP: "LUBE" AND "NON-LUBE" AIR MOTOR ASSEMBLIES, BUNA.

DOC NO. D15147.

REV. D, 01 FEB 2021, M.E.

PAGE 4 OF 4

### PILOT VALVE ASSEMBLY P/N 11-5060A001

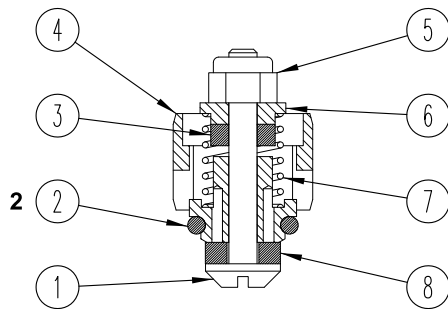


7	1	11-5024A403	SEAT	10-403-24
6	1	11-5032A403	AIR CHECK ASSY.	10-403-32
5	1	11-5049A000	PILOT VALVE BODY	10-450-49
4	1	11-5016M000	SPRING	10-450-16
3	1	P11000-214	O-RING	12-6227N019
2	1	P11000-216	O-RING	12-6227N021
1	1	12-R093S000	RETAINING RING	RRT-93
ITEM NO.	QTY	PART NO.	DESCRIPTION	REF NO.

**NOTES:**

1. INCLUDED IN 11-5124N000 AND 11-5124NDL0 AIR MOTOR REPAIR KIT.
2. INCLUDED IN 11-5142N000 AND 11-5142NDL0 AIR MOTOR PACKING SET.
3. P/N 11-5124NDL0 WAS R10102.
4. P/N 11-5142NDL0 WAS R10103.

### AIR CHECK VALVE ASSEMBLY P/N 11-5032A403



8	1	11-5025N403	WASHER	10-403-25
7	1	11-5015M000	SPRING	10-450-15
6	1	11-5039S000	RETAINER	10-450-39
5	1	12-2104A4D08	NUT	
4	1	11-5028A403	AIR CHECK BODY	10-450-171
3	1	11-5043N000	WASHER	10-450-43
2	1	P11000-111	O-RING	12-6227N009
1	1	11-5056A000	SCREW	10-450-56
ITEM NO.	QTY	PART NO.	DESCRIPTION	REF NO.

**NOTES:**

1. INCLUDED IN 11-5124N000 AND 11-5124NDL0 AIR MOTOR REPAIR KIT.
2. INCLUDED IN 11-5142N000 AND 11-5142NDL0 AIR MOTOR PACKING SET.
3. P/N 11-5124NDL0 WAS R10102.
4. P/N 11-5142NDL0 WAS R10103.