

Coupling device AGH150W-4



Coupling device AGH150W-4



Product description

The AGH150W-4 coupling device is designed to extend the nominal voltage range of the ISOMETER® iso685... and IRDH... series to AC 0...1150 V, DC 0...1760 V. The coupling device is connected to the system being monitored by two poles and connected to the terminal AK of the ISOMETER® by means of the terminal AK160.

Approvals

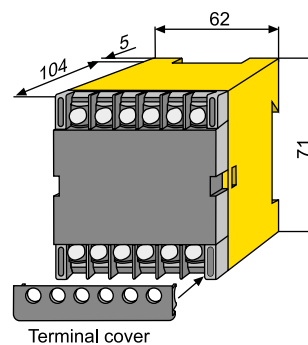


Ordering information

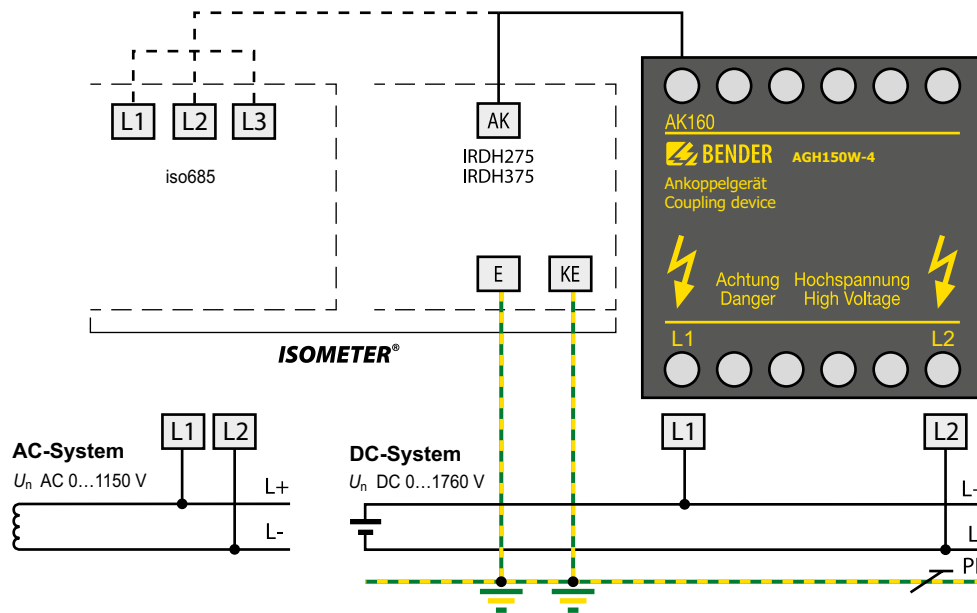
Nominal system voltage U_s		Type	Art. No.
AC	DC		
0...1150 V	0...1760 V	AGH150W-4	B 9801 8006

Dimension diagram X150

Dimensions in mm



Wiring diagram



Technical data

Insulation coordination acc. to DIN EN 61800-5-1 (VDE 0160-105-1)

Rated insulation voltage AC 1600 V

Voltage test acc. to DIN EN 61800-5-1 (VDE 0160-105-1)

Voltage impulse test (basic insulation) \geq AC 11 kV

AC voltage test (basic insulation) \geq AC 6.6 kV

Voltage ranges

Nominal system voltage U_n AC 0...1150 V, DC 0...1760 V

Overvoltage category/rated impulse voltage CAT III/ \geq 11 kV

Internal DC resistance R_i \geq 160 k Ω

Environment

Shock resistance IEC 60068-2-27 (device in operation) 15 g/11 ms

Bumping IEC 60068-2-29 (transport) 40 g/6 ms

Vibration resistance IEC 60068-2-6 (device in operation) 1 g/10...150 Hz

Vibration resistance IEC 60068-2-6 (transport) 2 g/10...150 Hz

Ambient temperature (during operation) -10...+55 °C

Ambient temperature (during storage) -40...+70 °C

Climatic class acc. to DIN IEC 60721-3-3 3K5

Connection

Connection flat terminals

Connection properties rigid/flexible 0.2...4/0.2...2.5 mm²

Other

Operating mode continuous operation

Mounting any position

Degree of protection, internal components (DIN EN 60529) IP30

Degree of protection, terminals (DIN EN 60529) IP20

DIN rail mounting acc. to IEC 60715

Flammability class UL94 V-0

Documentation number D00093

Weight \leq 900 g