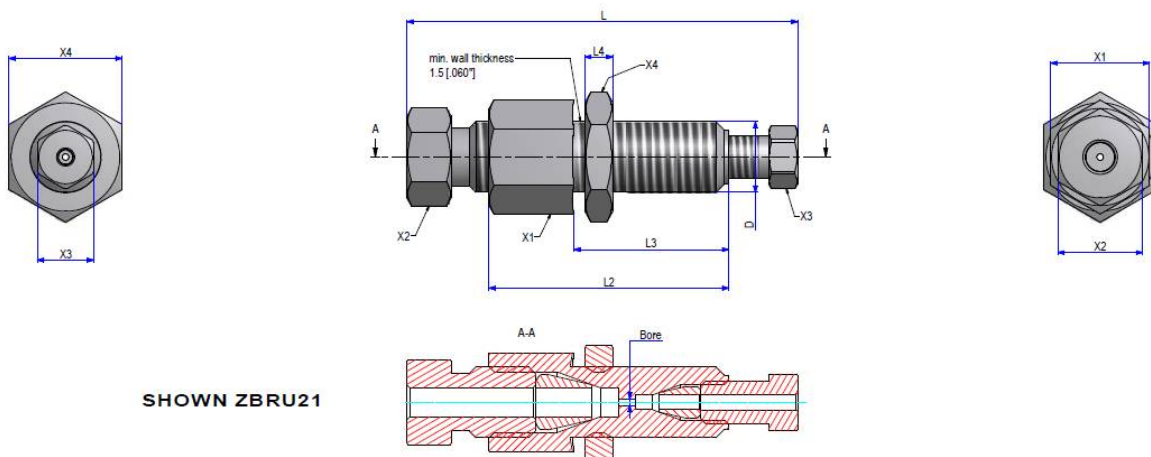


Data Sheet

ZBRU21

Bulkhead internal reducing union



Material (body): SS316

Material (nuts): SS303

Material (ferrules): SS316

Including: nuts & ferrules

Diameter (OD): 1/16"

Bore size: 0.75 mm

Amount: 1/package