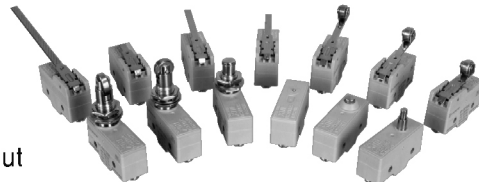


HY-700 series

Micro switch

- Certain operation and long life expectancy due to the snap action tool and strong chemical resistance case (phenolic resin)
- Excellent repetitive accuracy and 10A opening / closing capacity
- Standard type, hole gap of installation cutout dimension : 25.4mm, fix with M4 bolt
- 9 types of actuators provide wide usages
- Terminal protective cover (optional)



Specification

| | | |
|---------------------------|--|--|
| Contact structure | M4-5.5 screw tightening, 1c contact | |
| Contact material | AgCdO | |
| Protective structure | Standard type | |
| Rated current(Ie) | 10 A 250 V a.c | |
| Dielectric strength | 2,000 V a.c 50/60 Hz for 1min (between the terminal and non-recharging metal part) | |
| Insulation resistance | Min 100 M Ω (500 V d.c insulated ohmmeter) | |
| Contact resistance | Max 50 M Ω (default value) | |
| Rated voltage(Ue) | 250 V a.c | |
| Vibration | Double amplitude 1.5mm, frequency 10 ~ 55 Hz, continuously 2 hour | |
| Shock | 100 % (durability), 50 % (malfunction) | |
| Allowable operation speed | 0.1 % ~ 1 % | |
| Life expectancy | Mechanical | Min 1 million times (less than open/close frequency 120 times/min) |
| | Electrical | Min 300 thousand times (less than open/close frequency 20 times/min) |
| Ambient temperature | -10 ~ 80 °C | |
| Ambient humidity | 25 ~ 95 % R.H. | |
| Weight | Approx 800g (10 HY-R704B 1 box) | |

Terminal arrangement

| Appearance | Connection diagram |
|---|--------------------|
| <p style="text-align: center;">↓ Actuator</p> | |

Control switch
Combination display light

Power switch
Main switch
Cam switch

Limit switch
Micro switch

Hoist switch
Foot switch
Mono lever switch

Sign tower
Signal light


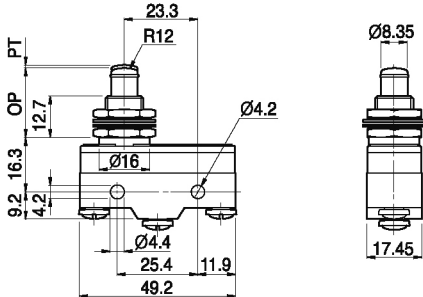
Buzzer
Terminal block
Fuse holder

Control box
Cable connector


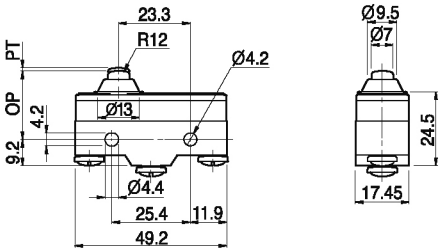
Discontinued Products

Dimension (unit : mm)


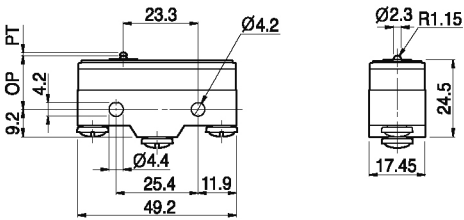
■ Panel mounting type

| Appearance | Dimension | Operation characteristic |
|--|---|--|
|  <p>HY-P701A (Z4G1P05B)</p> |  | <p>O,F max : 3.73 N (380 gf) R,F min : 1.12 N (114 gf) P.T max : 1.0 mm O.T min : 5.2 mm M.D max : 0.13 mm O,P : 21.8 ±0.8 mm</p> |


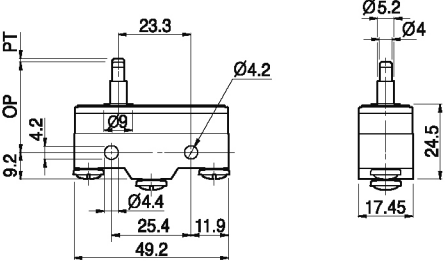
■ Spring single push button type

| Appearance | Dimension | Operation characteristic |
|---|--|--|
|  <p>HY-P701B (Z4G1P09B)</p> |  | <p>O,F max : 3.73 N (380 gf) R,F min : 1.12 N (114 gf) P.T max : 1.0 mm O.T min : 1.3 mm M.D max : 0.13 mm O,P : 21.8 ±0.8 mm</p> |

■ Pin push button type

| Appearance | Dimension | Operation characteristic |
|--|---|---|
|  <p>HY-P701C (Z4G1P01B)</p> |  | <p>O,F max : 3.73 N (380 gf) R,F min : 1.12 N (114 gf) P.T max : 1.0 mm O.T min : 0.13 mm M.D max : 0.13 mm O,P : 16.0 ±0.5 mm</p> |


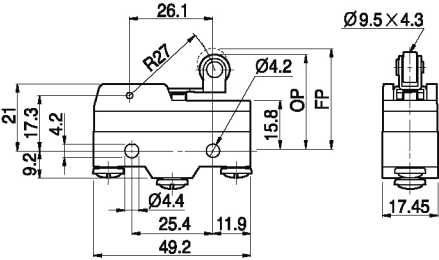
■ Spring stander push button type

| Appearance | Dimension | Operation characteristic |
|--|---|--|
|  <p>HY-P701D (Z4G1P03B)</p> |  | <p>O.F max : 3.73 N (380 gf) R.F min : 1.12 N (114 gf) P.T max : 1.0 mm O.T min : 1.3 mm M.D max : 0.13 mm O.P : 28.2 ±0.6 mm</p> |

Control switch
Combination display light

Power switch
Main switch
Cam switch

■ Hinge roller single lever type


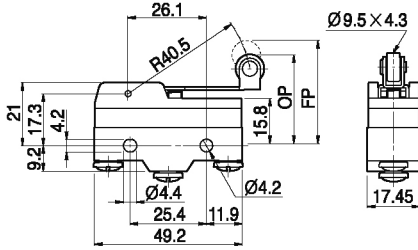
| Appearance | Dimension | Operation characteristic |
|---|--|--|
|  <p>HY-R704A (Z4G1L07B)</p> |  | <p>O.F max : 1.57 N (160 gf) R.F min : 0.27 N (28 gf) P.T max : 5.0 mm O.T min : 2.0 mm M.D max : 1.2 mm O.P : 30.2 ±1.0 mm</p> |

Limit switch
Micro switch

Hoist switch
Foot switch
Mono lever switch

Sign tower
Signal light

■ Hinge roller middle lever type


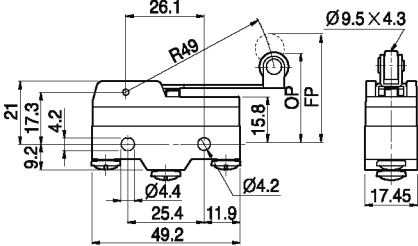
| Appearance | Dimension | Operation characteristic |
|---|---|---|
|  <p>HY-R704B</p> |  | <p>O.F max : 1.18 N (120 gf) R.F min : 0.2 N (28 gf) P.T max : 5.0 mm O.T min : 2.0 mm M.D max : 1.2 mm O.P : 30.2 ±1.0 mm</p> |

Buzzer
Terminal block
Fuse holder


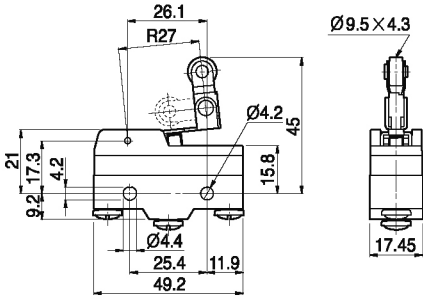
Control box
Cable connector

Discontinued Products


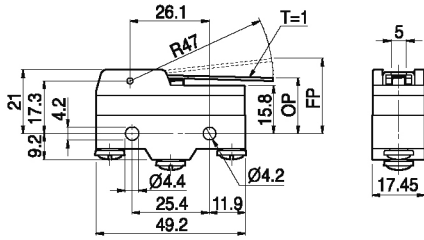
■ Hinge roller lever type

| Appearance | Dimension | Operation characteristic |
|--|---|--|
|  <p>HY-R704C (Z4G1L03B)</p> |  | <p>O.F max : 0.98 N (100 gf) R.F min : 0.14 N (14 gf) P.T max : 8.0 mm O.T min : 3.6 mm M.D max : 2.4 mm O.P : 30.2 ±1.0 mm</p> |


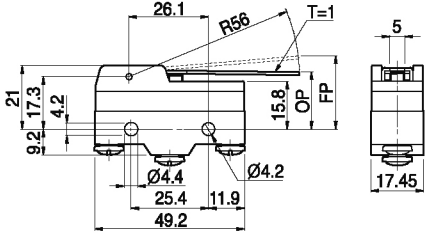
■ 2 positions roller lever type

| Appearance | Dimension | Operation characteristic |
|--|--|--|
|  <p>HY-R704-2W</p> |  | <p>O.F max : 0.98 N (100 gf) R.F min : 0.14 N (14 gf) P.T max : 8.0 mm O.T min : 3.6 mm M.D max : 0.5 mm O.P : 43.2 ±1.4 mm</p> |

■ Single position lever type


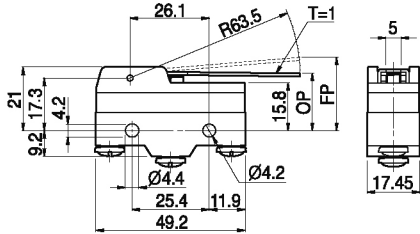
| Appearance | Dimension | Operation characteristic |
|---|---|--|
|  <p>HY-L707A</p> |  | <p>O.F max : 1.57 N (160 gf) R.F min : 0.27 N (28 gf) P.T max : 5.0 mm O.T min : 2.0 mm M.D max : 1.2 mm O.P : 19.1 ±1.0 mm</p> |

■ Middle lever type

| Appearance | Dimension | Operation characteristic |
|---|---|--|
|  <p>HY-L707B</p> |  | <p>O.F max : 1.18 N (120 gf) R.F min : 0.20 N (20 gf) P.T max : 6.5 mm O.T min : 2.8 mm M.D max : 1.8 mm O.P : 19.1 ±1.0 mm</p> |

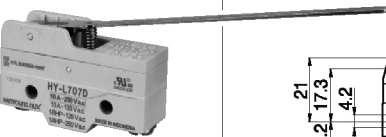
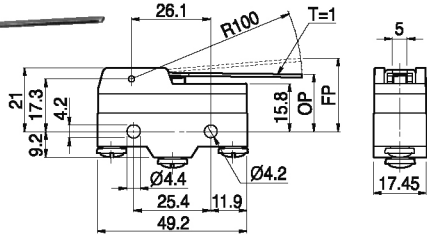
Control switch
Combination display light
Power switch
Main switch
Cam switch

■ Hinge lever type

| Appearance | Dimension | Operation characteristic |
|--|--|--|
|  <p>HY-L707C (Z4G1L01B)</p> |  | <p>O.F max : 0.98 N (100 gf) R.F min : 0.14 N (14 gf) P.T max : 1.0 mm O.T min : 4.0 mm M.D max : 2.4 mm O.P : 19.1 ±1.0 mm</p> |



Limit switch
Micro switch
Hoist switch
Foot switch
Mono lever switch
Signal tower
Signal light

■ Special lever type

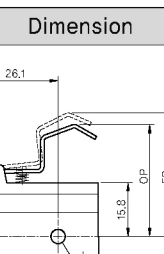
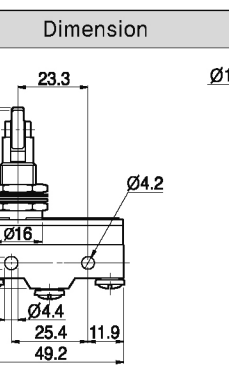
| Appearance | Dimension | Operation characteristic |
|---|---|--|
|  <p>HY-L707D</p> |  | <p>O.F max : 0.78 N (80 gf) R.F min : 0.1 N (10 gf) P.T max : 1.4 mm O.T min : 5.6 mm M.D max : 3.5 mm O.P : 19.1 ±1.0 mm</p> |

Buzzer
Terminal block
Fuse holder
Control box
Cable connector
Discontinued Products

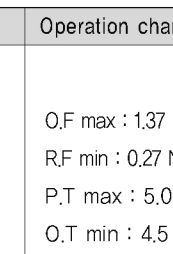
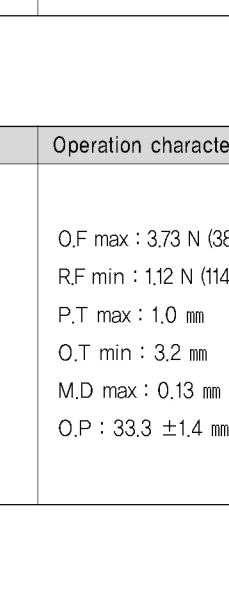
■ Hunge Special lever type

| Appearance | Dimension | Operation characteristic |
|--|--|--|
|  <p>HY-L707S</p> |  | <p>O.F max : 1.37 N (140 gf) R.F min : 0.27 N (28 gf) P.T max : 5.0 mm O.T min : 4.5 mm M.D max : 1.2 mm O.P : 33.0 ±1 mm</p> |

■ Roller panel mounting type (Vertical)

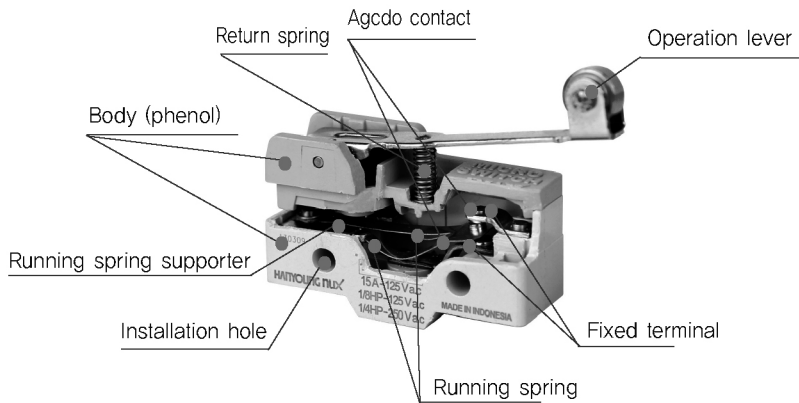
| Appearance | Dimension | Operation characteristic |
|--|--|--|
|  <p>HY-PR708A</p> |  | <p>O.F max : 3.73 N (380 gf) R.F min : 1.12 N (114 gf) P.T max : 1.0 mm O.T min : 3.2 mm M.D max : 0.13 mm O.P : 33.3 ±1.4 mm</p> |

■ Roller panel mounting type

| Appearance | Dimension | Operation characteristic |
|--|---|--|
|  <p>HY-PR708B (Z4G1P07B)</p> |  | <p>O.F max : 3.73 N (380 gf) R.F min : 1.12 N (114 gf) P.T max : 1.0 mm O.T min : 3.2 mm M.D max : 0.13 mm O.P : 33.3 ±1.4 mm</p> |

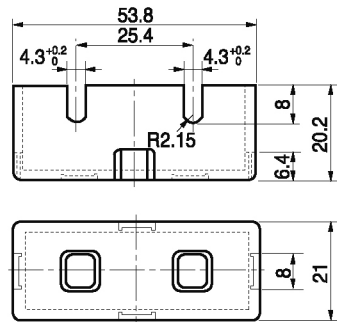
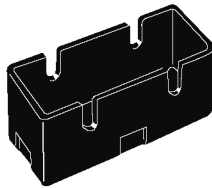
Structure

Internal structure

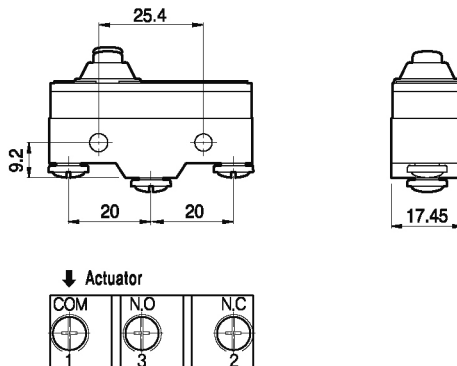


Terminal protective cover

MS-10



Dimension and terminal arrangement



Control switch
Combination display light

Power switch
Main switch
Cam switch

Limit switch
Micro switch

Hoist switch
Foot switch
Mono lever switch

Sign tower
Signal light

Buzzer
Terminal block
Fuse holder

Control box
Cable connector

Discontinued Products