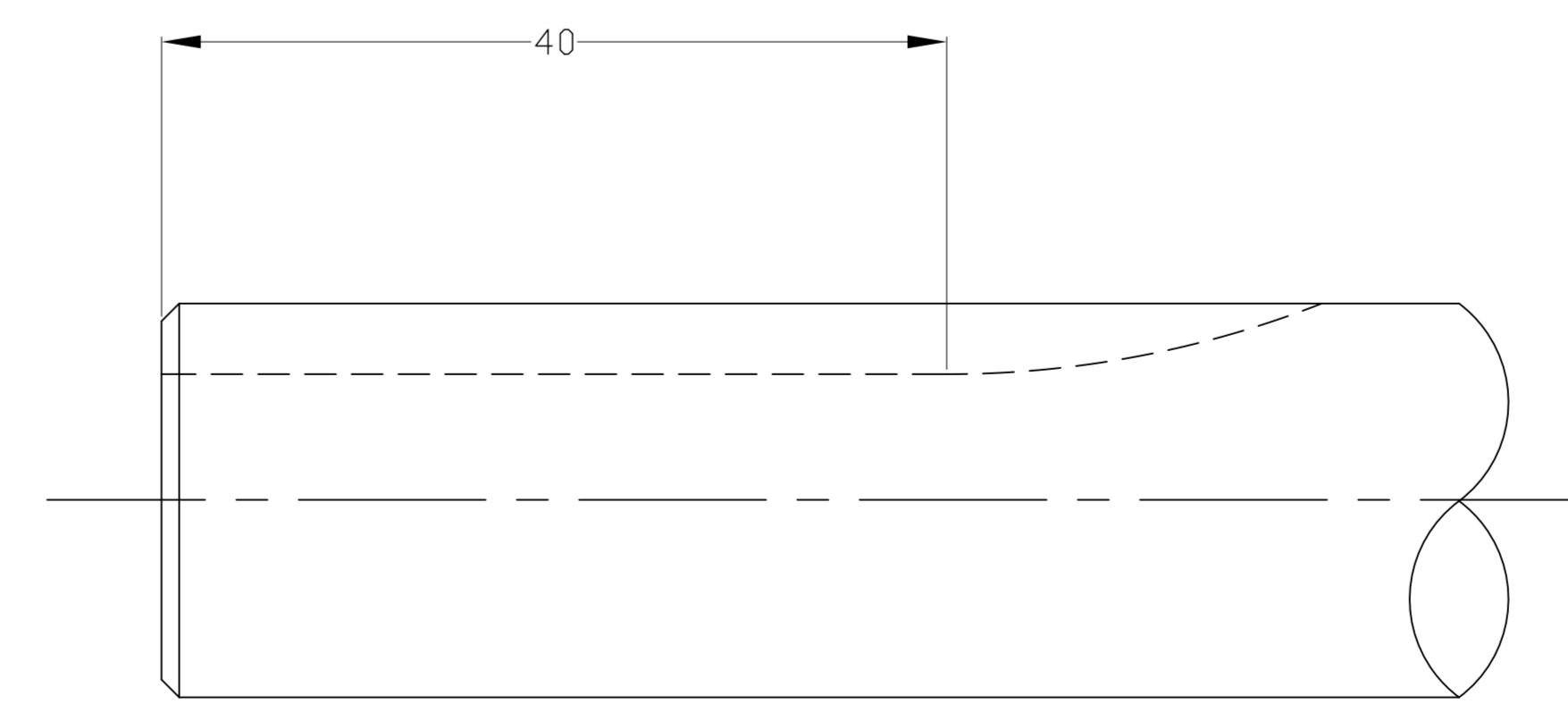
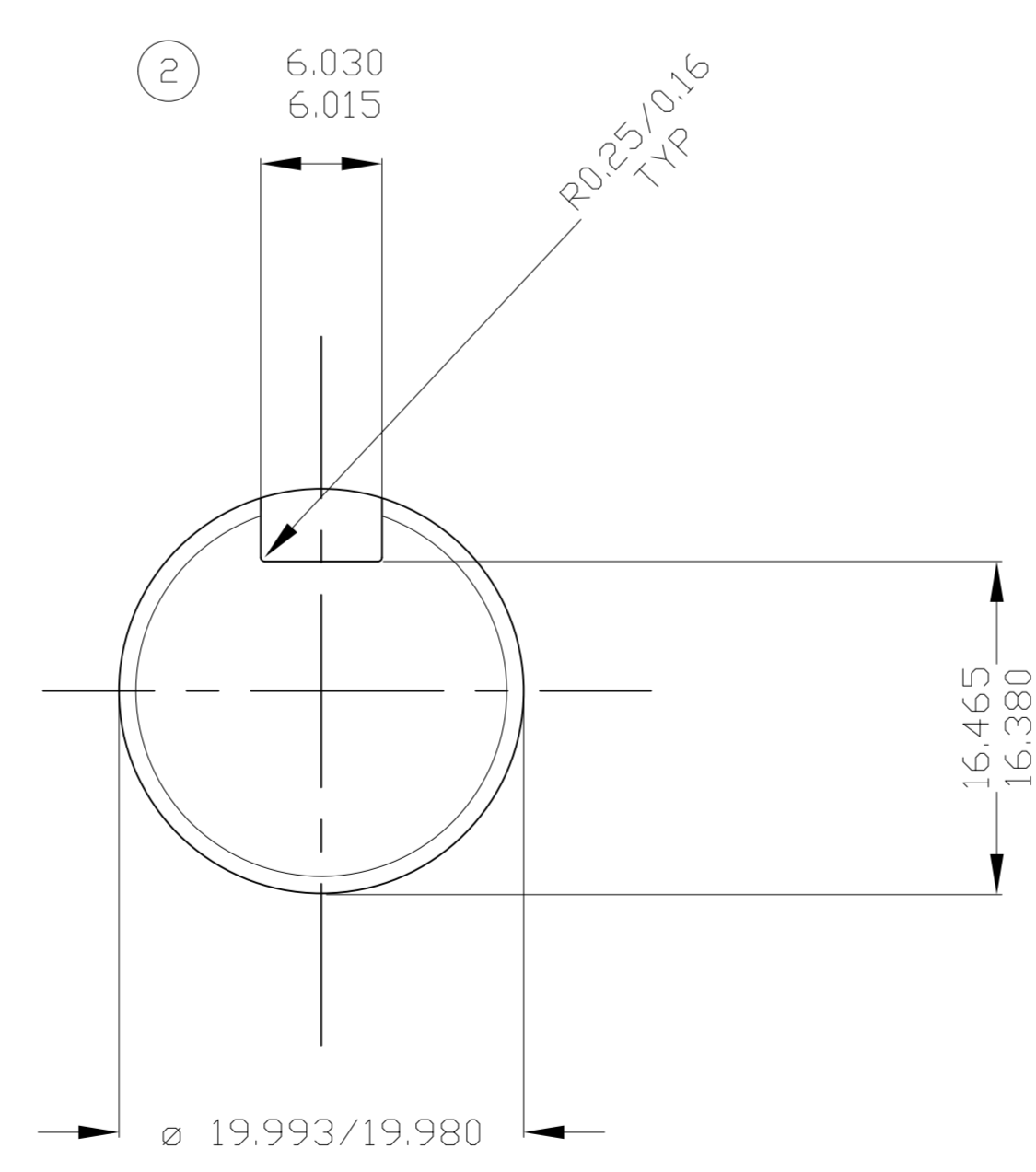


6 x 6 x 32LG KEY TAPE TO SHAFT AS SHOWN

8 HOLES ø 8

NOTES:-
UNTOLERANCED DIMENSIONS ARE FOR REFERENCE PURPOSES ONLY.



SHAFT/KEYWAY DETAILS SCALE 2:1

2	REDRAWN AND KEYWAY WIDTH WAS 600/597	30/1/04	16327
A	DRAWN	10/5/99	
ISS.	MODIFICATION	DATE	C/N NO.

MATERIAL
GALVANISED STEEL

FINISH
NATURAL

FIRST USED ON

SIMILAR TO

DIRECTORY PATH
\\ASY\BDC
TITLE

FINAL ASSEMBLY OF
BDC241-241

DRAWING NO.
082727