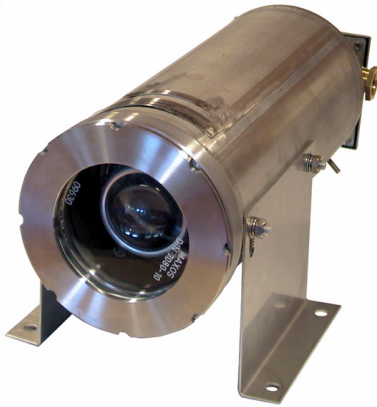


LIGHTING

TEF 9964 HELIDECK FLOODLIGHT XENON

ZONE 1, ZONE 2 & SAFE AREA

Subject to change without prior notice TPS2042 REV. G 30.06.2017



Tranberg luminaires are all designed for use in rough environments. The helideck light system delivered by Tranberg is designed to meet the toughest conditions in the helicopter landing areas. The floodlights are designed to provide adequate illumination of the whole area without glare to pilots or helicopterpersonell in the area. Helideck equipment manufactured by Tranberg is delivered to offshore installations, oil tankers and supply ships, hotels and hospitals all over the world.

APPLICATION


- Floodlight for helideck landing area
- For use in hazardous areas
- Floodlighting

APPROVALS AND CERTIFICATIONS

NEMKO 00ATEX245


Complies with: EN 500014:1997 + A1:1999 + A2:1999
EN 50018:94
EN 50019:94

CSA
International
Canada

Complies with:  216432

CSA Standard C22.2 No. 0-M91
CSA Standard C22.2 No. 0.4-M1992
CSA Standard C22.2 No. 43-M1984
CSA Standard C22.2 No. 250.0-00
CAN/CSA Standard E60079-0:02
CAN/CSA Standard E60079-1:02
CAN/CSA Standard E60079-7:02
UL 1598-2000, First edition
UL 542-1999, Eight edition
UL 935-2001, Tenth edition
ANSI/UL 60079-0-2002, First edition
ANSI/UL 60079-1-2002, First edition
ANSI/UL 60079-7-2002, First edition

TECHNICAL DATA

Housing:	Acid proof stainless steel Safety glass
Input voltage:	230V AC 50/60Hz 110V AC 50/60Hz 24V DC 254 V AC
Lamp type:	Xenon D2S 35W
Fuse:	3.15 Amp.
Power consumption:	50W
IP-rating:	IP66/67 (According to EN 60529)
Weight:	11,5 kg.
Cable glands:	E204, Increased safety, EEx e II Cable diam: 11 - 17,1mm
Tamb:	ATEX: -20°C to +40°C CSA: -20°C to +40°C
ATEX/Ex classification:	 II 2 G EEx de IIC T5 Ex de IIC T5 (For Canada) Class I, Zone AEx de IIC T5 (For USA)
Area of use:	Zone 1, Zone 2 and safe area

FEATURES AND BENEFITS

- Rugged and low profile floodlight in acid resistant stainless steel housing (SS316L)
- Simple to install and maintain
- Proven ingress protection
- Resistant to vibrations
- Long lamp life
- Complies with: ICAO Annex 14 Vol. II and CAP 437

TEF 9964 HELIDECK FLOODLIGHT XENON ZONE 1 & 2

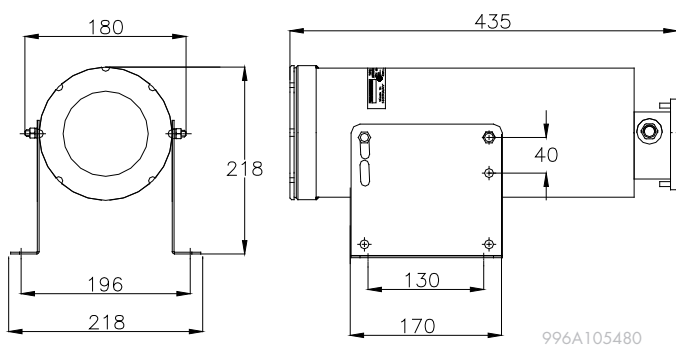
DESCRIPTION

	Part No.
Helideck floodlight xenon - EEx de II T5 - 254V AC	9964 000
Helideck floodlight xenon - EEx de II T5 - 110V AC	9964 010
Helideck floodlight xenon - EEx de II T5 - 24V DC	9964 024
Helideck floodlight xenon - EEx de II T5 - 230V AC	9964 030

SPARE PARTS

	Part No.
Xenon Lamp, D2S. 35W, For TEF 9964	9400074
Front Glass	3120
High Voltage Igniter Unit Xenon	9400103
Locknut for Xenon D2S	9400108
Transformer W/ Mounting Bracket for 9964, 230/254 VAC	4386
Transformer W/ Mounting Bracket for 9964, 110 VAC	4387
Rectifier For 9964 Xenon Helideck Light	3069
Cable Gland E204/3B/M25 9mm, Cable diameter Ø13-17,1mm	6143915
Complete Insert for TEF 9964 230/254V	3173
Complete Insert for TEF 9964 110V	3249
Complete Insert for TEF 9964 24V	4210
Tool for Replacing Xenon Lamp in TEF 9964 Helideck Floodlight	4676
Tool for Helideck Lights	4627

DIMENSIONS



R. Stahl Tranberg AS

E info@stahl-tranberg.com | stahl-tranberg.com

Main office: Strandsvingen 6 | N-4032 Stavanger | Norway | T +47 51 57 89 00 | F +47 51 57 89 50

Office Oslo: Luhrtoppen 2 | N-1470 Lørenskog | Norway | T +47 24 08 44 10