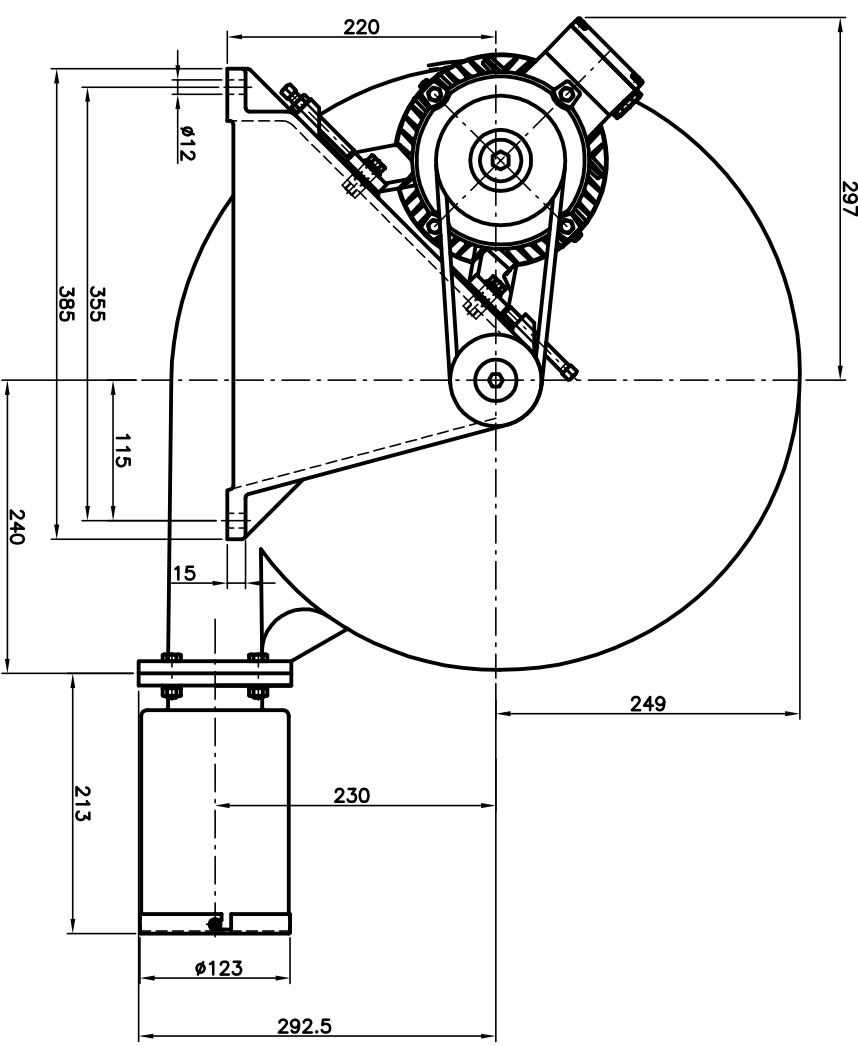
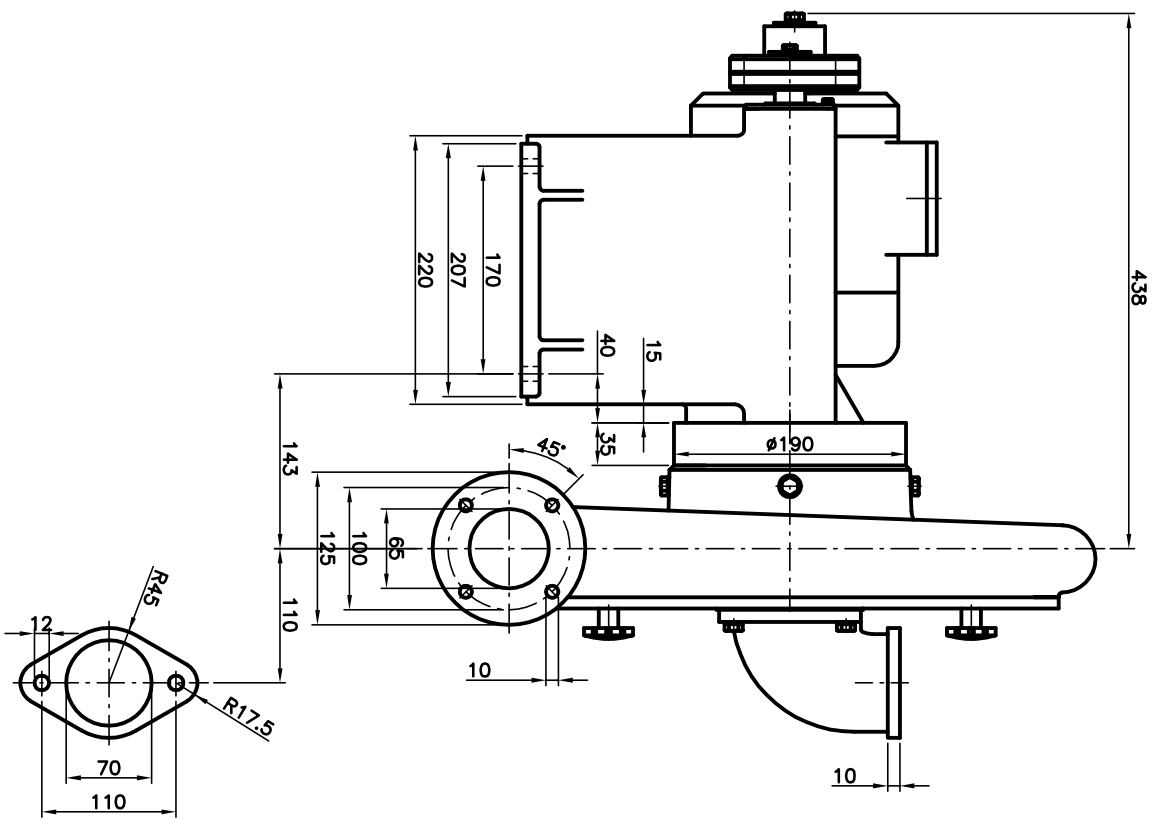


This document is confidential. The copyright is vested in Comblmac B.V. Emmen, The Netherlands. All rights reserved. Neither the whole nor any part of this document may be disclosed to any third party or reproduced, stored in any retrieval system or transmitted in any form or by any means (electronic, mechanical, reprographic, recording or otherwise) without the prior written consent of the copyright owner.



Type : 91B410-03/CL0
 Part.n.r. : 853.192
 Power : 1.5 kW
 Supply : 240/415V
 Freq. : 50 Hz.
 Motor speed : 3000 rpm – synchroon
 Protection : IP56
 Fan speed : ± 4050 rpm.
 Motor : ATEX 94/9/EG EN50014/50021
 : Ex II 3G, EEx-nA-II-T3

ISSUE	QTY	DATE	DESCRIPTION	NAME
PROJECTION			ROUGHNESS SYMBOLS (GENERAL TOLERANCES)	
			ACC. ISO 1302	
			GENERAL TOLERANCES	
			ACC. ISO 2768-M	
			GEOMETRIC TOLERANCE	
			SYMBOLS ACC. ISO 1101	
COMBLMAC B.V.			Outline drawing COMBLMAC fan	
EMMEN-HOLLAND			Type 91B410-03/CL0	
SCALE 1:3			DIMS IN mm	
DRAWN 031110 HKK			CHECKED	
B.002.921				