



- Operating temperature range: -40 °C to +70 °C
- Large inner connection chamber
- High-quality metal Ex e enclosure with outer PE connection
- Degree of protection IP66/67
- Five different contact versions
- Ten different actuator versions

E4

WebCode 8074D

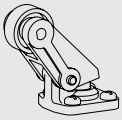
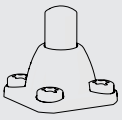
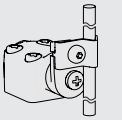
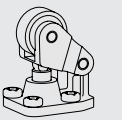
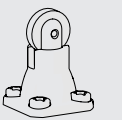
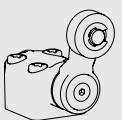


Metal position switch; switch dimensions meet the requirements of DIN EN 50041. It is designed to detect the position of moving components. Certified versions fulfil the requirements for safety switches as set out in EN 13849-1 and have positive-opening contacts in accordance with EN 60947-5-1.

	ATEX / IECEx					
Zone	0	1	2	20	21	22
Installation in		•	•		•	•

Selection Table								
Actuator Rated operational current		Adjustable rotary lever 4.4 A						
Figure	Contacts	Switching function	Rated operational voltage AC (equal potential)	Positive opening contact	Product Type	Art. No.	PS	Weight kg
	1 NC + 1 NO	Slow-action contact	500 V	No	8074/2-1-DS-40	257189	17	0.386
		Slow-action contact, Overlapping	500 V	No	8074/2-5-DS-40	257218	17	0.386
	2 NCs	Slow-action contact	400 V	No	8074/2-3-DS-40	257209	17	0.386
Actuator Rated operational current		Long rotary lever 4.4 A						
Figure	Contacts	Switching function	Rated operational voltage AC (equal potential)	Positive opening contact	Product Type	Art. No.	PS	Weight kg
	1 NC + 1 NO	Slow-action contact	500 V	Yes	8074/2-1-DL-40	257188	17	0.422
		Slow-action contact, Overlapping	500 V	Yes	8074/2-5-DL-40	257217	17	0.422
	2 NCs	Slow-action contact	400 V	Yes	8074/2-3-DL-40	257208	17	0.422
Actuator Rated operational current		Misalignment switch 4.4 A						
Figure	Contacts	Switching function	Rated operational voltage AC (equal potential)	Positive opening contact	Product Type	Art. No.	PS	Weight kg
	1 NC + 1 NO	Slow-action contact	500 V	No	8074/2-1-SR-40	257201	17	0.486

Selection Table

Actuator		Parallel roller lever 4.4 A						
Rated operational current								
Figure	Contacts	Switching function	Rated operational voltage AC (equal potential)	Positive opening contact	Product Type	Art. No.	PS	Weight kg
	1 NC + 1 NO	Slow-action contact	500 V	Yes	8074/2-1-WPH-40	257186	17	0.307
		Slow-action contact, Overlapping	500 V	Yes	8074/2-5-WPH-40	257215	17	0.307
	2 NCs	Slow-action contact	400 V	Yes	8074/2-3-WPH-40	257206	17	0.307
Actuator		Plunger 4.4 A						
Rated operational current								
Figure	Contacts	Switching function	Rated operational voltage AC (equal potential)	Positive opening contact	Product Type	Art. No.	PS	Weight kg
	1 NC + 1 NO	Slow-action contact	500 V	Yes	8074/2-1-W-40	257197	17	0.298
		Slow-action contact, Overlapping	500 V	Yes	8074/2-5-W-40	257212	17	0.298
	2 NCs	Slow-action contact	400 V	Yes	8074/2-3-W-40	257203	17	0.298
Actuator		Rod lever 4.4 A						
Rated operational current								
Figure	Contacts	Switching function	Rated operational voltage AC (equal potential)	Positive opening contact	Product Type	Art. No.	PS	Weight kg
	1 NC + 1 NO	Slow-action contact	500 V	No	8074/2-1-DD-40	257190	17	0.340
		Slow-action contact, Overlapping	500 V	No	8074/2-5-DD-40	257219	17	0.340
	2 NCs	Slow-action contact	400 V	No	8074/2-3-DD-40	257210	17	0.340
Actuator		Roller lever 4.4 A						
Rated operational current								
Figure	Contacts	Switching function	Rated operational voltage AC (equal potential)	Positive opening contact	Product Type	Art. No.	PS	Weight kg
	1 NC + 1 NO	Slow-action contact	500 V	Yes	8074/2-1-WH-40	257185	17	0.300
		Slow-action contact, Overlapping	500 V	Yes	8074/2-5-WH-40	257214	17	0.300
	2 NCs	Slow-action contact	400 V	Yes	8074/2-3-WH-40	257205	17	0.300
Actuator		Roller plunger 4.4 A						
Rated operational current								
Figure	Contacts	Switching function	Rated operational voltage AC (equal potential)	Positive opening contact	Product Type	Art. No.	PS	Weight kg
	1 NC + 1 NO	Slow-action contact	500 V	Yes	8074/2-1-R-40	257184	17	0.299
		Slow-action contact, Overlapping	500 V	Yes	8074/2-5-R-40	257213	17	0.299
	2 NCs	Slow-action contact	400 V	Yes	8074/2-3-R-40	257204	17	0.299
Actuator		Rotary lever 4.4 A						
Rated operational current								
Figure	Contacts	Switching function	Rated operational voltage AC (equal potential)	Positive opening contact	Product Type	Art. No.	PS	Weight kg
	1 NC + 1 NO	Slow-action contact	500 V	Yes	8074/2-1-D-40	257187	17	0.360
		Slow-action contact, Overlapping	500 V	Yes	8074/2-5-D-40	257216	17	0.360
	2 NCs	Slow-action contact	400 V	Yes	8074/2-3-D-40	257207	17	0.360

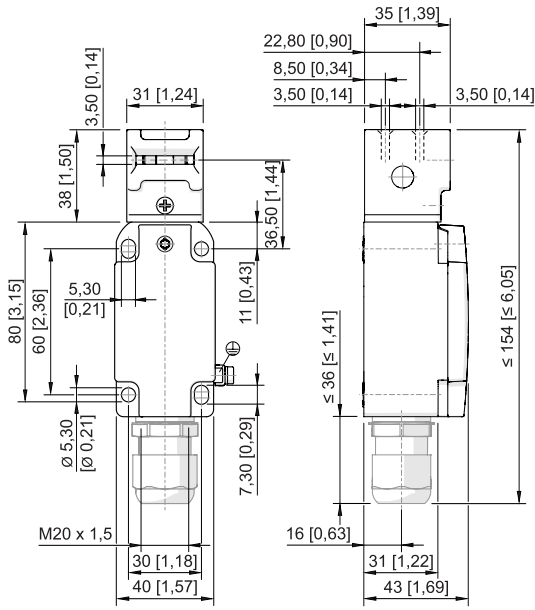
Selection Table								
Actuator		Safety switch						
Rated operational current		0.25 A						
Figure	Contacts	Switching function	Rated operational voltage AC (equal potential)	Positive opening contact	Product Type	Art. No.	PS	Weight kg
	1 NC + 1 NO	Slow-action contact	250 V	Yes	8074/2-1-AZ-20	257202	17	0.340
	2 NCs	Slow-action contact	250 V	No	8074/2-3-AZ-20	257211	17	0.340

The actuators enclosed are not mounted.

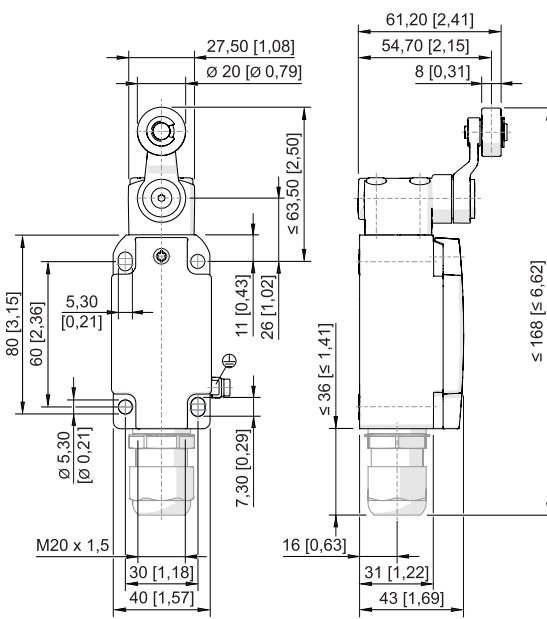
Safety switch, separate actuator made of metal (please order separately; see spare parts and accessories)

Technical Data		
Variant	8074/2-...-..	8074/2-1-AZ-20
Explosion Protection		
Gas explosion protection IECEx	Ex de IIC T6 Gb	Ex de IIC T6 Gb
Gas explosion protection ATEX	Ⓜ II 2 G Ex de IIC T6 Gb	Ⓜ II 2 G Ex de IIC T6 Gb
Gas explosion protection EAC	1 Ex db e IIC T6 Gb	1 Ex db e IIC T6 Gb
Dust explosion protection IECEx	Ex tb IIIC T80 °C Db	Ex tb IIIC T80 °C Db
Dust explosion protection ATEX	Ⓜ II 2 D Ex tb IIIC T80 °C Db	Ⓜ II 2 D Ex tb IIIC T80 °C Db
Dust explosion protection EAC	Ex tb IIIC T80 °C Db	Ex tb IIIC T80 °C Db
Certificates	ATEX (BVS), EAC (CCVE), IECEx (BVS)	ATEX (BVS), EAC (CCVE), IECEx (BVS)
Electrical Data		
Rated operational voltage DC	125 V	230 V
Rated operational voltage (unequal potential)	250 V	250 V
Electrical service life	Max. 10 ⁶ operating cycles	Max. 10 ⁶ operating cycles
Mechanical service life	Max. 10 ⁶ operating cycles	Max. 10 ⁶ operating cycles
Rated surge voltage	4 kV	4 kV
Short-circuit protection max.	10 A	10 A
Maximum operating frequency	1800 operating cycles/h	1800 operating cycles/h
Ambient Conditions		
Ambient temperature	-40 °C ... +70 °C	-20 °C ... +40 °C ... +60 °C
Ambient temperature note		depends on the temperature class
Mechanical Data		
Degree of protection (IP)	IP66	IP66
Degree of protection IP (IEC 60529)	IP66	IP66
Type of protection (IEC 60529) note	-40 °C	-20 °C
Enclosure material	Corrosion resistant aluminium, powder-coated, 1.4401 stainless steel, blasted	Corrosion resistant aluminium, powder-coated, 1.4401 stainless steel, blasted
Contact material	Silver-nickel	Silver-nickel
Connection cross-section finely stranded	0.75 – 2.5 mm ²	0.75 – 1.5 mm ²
Connection cross-section solid	0.75 – 2.5 mm ²	0.75 – 1.5 mm ²
Contact system	2-pole, galvanically separated with double break	2-pole, galvanically separated with double break
Contact opening	≥ 1.5 mm (isolating distance ≥ 3 mm)	≥ 1.5 mm (isolating distance ≥ 3 mm)
Components		
Screw connections	1 x M20 Ø 4 – 13 mm	1 x M20 Ø 4 – 13 mm
Material of screw connections	Black plastic	Black plastic

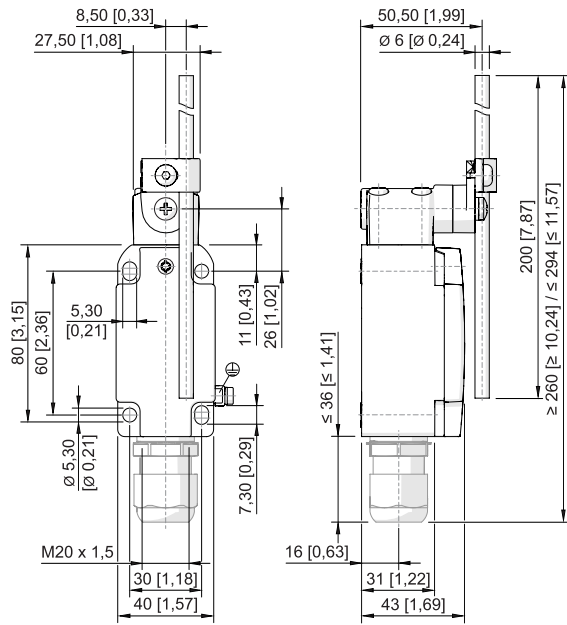
Accessories and spare parts on the Internet r-stahl.com



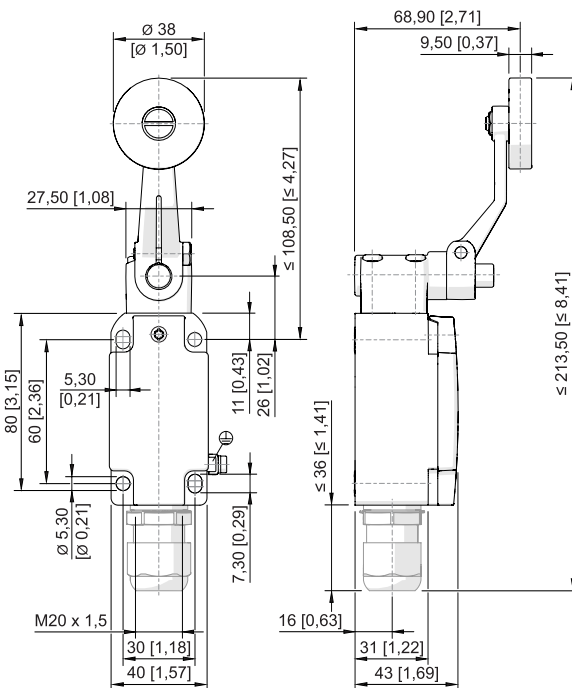
Safety switch 8074/2--AZ-20



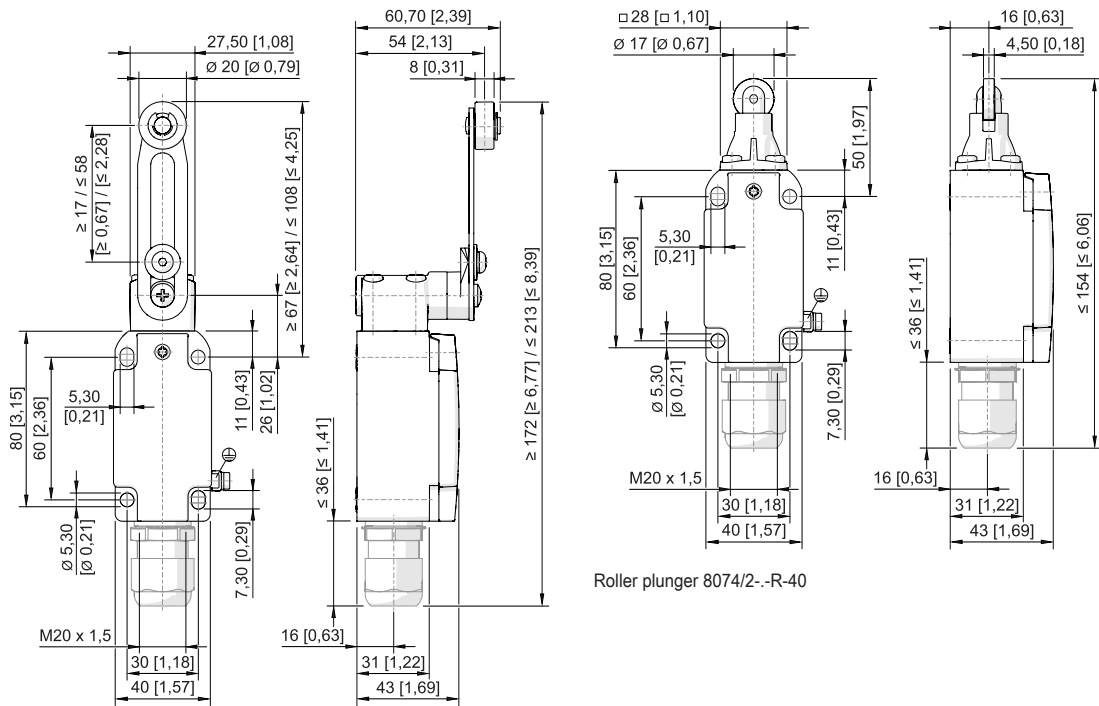
Swivelling lever 8074/2--D-40



Roller lever 8074/2--DD-40

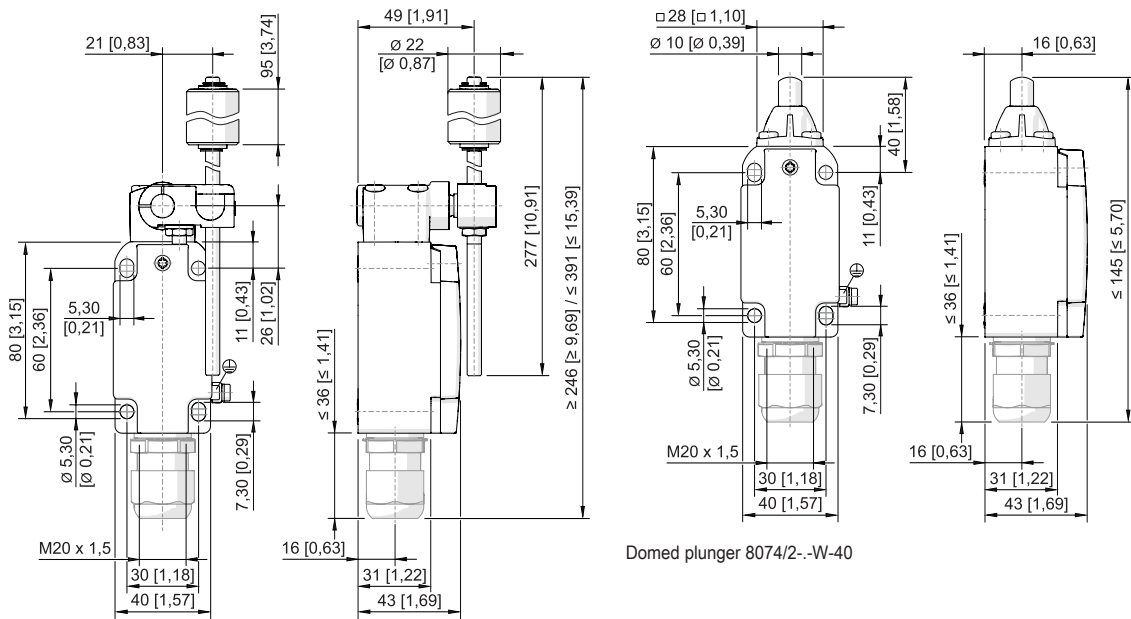


Swivelling lever 8074/2--DL-40



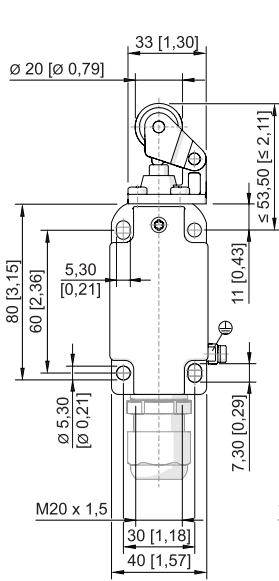
Roller plunger 8074/2--R-40

Swivelling lever 8074/2--DS-40

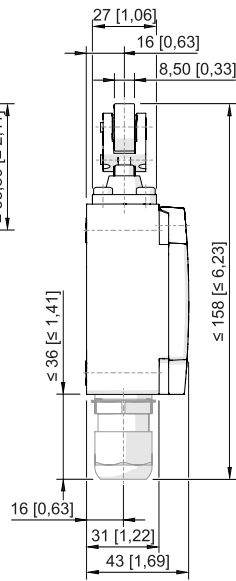


Domed plunger 8074/2--W-40

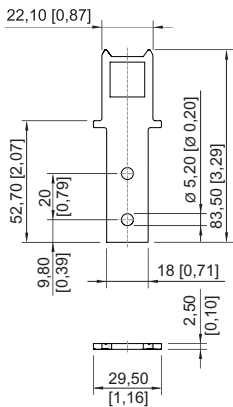
Belt-alignment switch 8074/2--SR-40



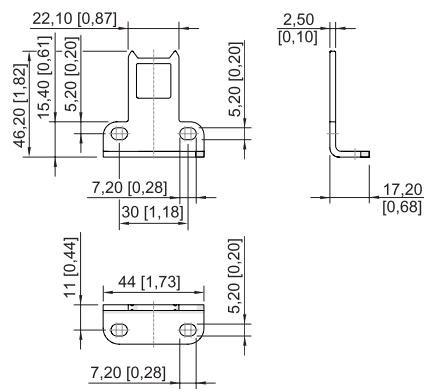
Roller lever 8074/2--WH-40



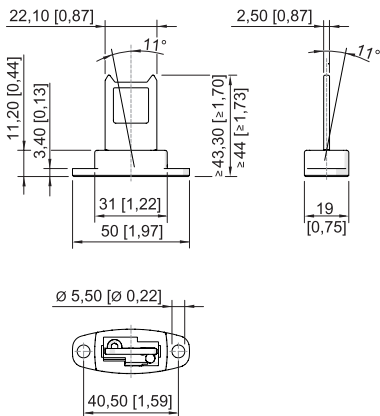
Roller lever 8074/2--WPH-40



Straight actuator for safety switch



Angled actuator for safety switch



Adjustable actuator for safety switch