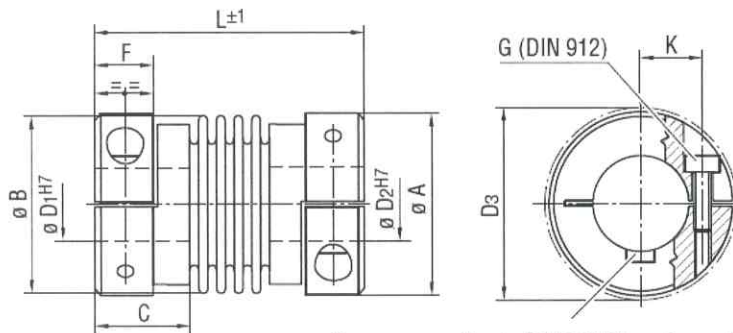


# Metal bellows couplings

## Series DK – miniature (discontinued model)



Keyway according to DIN 6885<sup>1)</sup> on demand

### Technical Data, Dimensions

TYPE	DIMENSIONS (mm)									TECHNICAL DATA					
	Ø A	Ø B	C	L (±1)	F	D <sub>1</sub> /D <sub>2</sub> (H7) from/to	D <sub>3</sub> Clear- ance dia- meter	G (DIN 912) 8.8	K	Nominal- torque T <sub>KN</sub> (Nm)	Misalignment (mm)		Torsio- nal stiffness C <sub>T dyn</sub> (Nm/rad)	Moment of inertia J (g cm <sup>2</sup> )	Weight m (g)
											radial ΔK <sub>r</sub>	axial ΔK <sub>a</sub>			
DK 1/25	10	10	7	25	4.5	1-4	11	M1.6 (DIN 913)	3.4	0.1	0.12	0.2	65	0.7	5
DK 4/26	15.5	15	9	26	5.7	3-6.5	17.5	M2	5.6	0.4	0.1	0.2	254	2.6	9
DK 4/29	15.5	15	9	29	5.7	3-6.5	17.5	M2	5.6	0.4	0.15	0.3	190	2.6	9
DK 4/32	15.5	15	9	32	5.7	3-6.5	17.5	M2	5.6	0.4	0.2	0.4	152	2.6	9
DK 9/28	15.5	15	9	28	5.7	3-6.5	17.5	M2	5.6	0.9	0.1	0.2	507	2.6	9
DK 9/31	15.5	15	9	31	5.7	3-6.5	17.5	M2	5.6	0.9	0.15	0.3	380	2.9	10
DK 9/35	15.5	15	9	35	5.7	3-6.5	17.5	M2	5.6	0.9	0.2	0.4	305	3.2	11
DK15/33	20	19	12	33	7	3-10	21	M2.5	7	1.5	0.1	0.25	748	11	22
DK 15/37	20	19	12	37	7	3-10	21	M2.5	7	1.5	0.15	0.4	701	12	24
DK 20/37	25	24	13	37	8	3-12	27	M3	9	2	0.1	0.3	1530	25	36
DK 20/43	25	24	13	43	8	3-12	27	M3	9	2	0.2	0.4	1290	27	38
DK 20/47	25	24	13	47	8	3-12	27	M3	9	2	0.25	0.5	1030	28	40
DK 45/47	32	32	15.5	47	10	6-16	34	M4	11.5	4.5	0.1	0.3	6450	98	74
DK 45/55	32	32	15.5	55	10	6-16	34	M4	11.5	4.5	0.2	0.5	4030	103	78
DK 100/53	40	40	17	53	10	6-19	41.5	M4	15.5	10	0.15	0.4	8070	231	120
DK 100/64	40	40	17	64	10	6-19	41.5	M4	15.5	10	0.25	0.5	6720	250	130

#### Angular misalignment:

1.2° to 2°, depending on length

#### Hub bores:

Standard quality of fitting H7.  
Custom bores on demand.

#### Standard bores:

DK 1                    Ø 3H7  
DK 4-15                Ø 6H7  
DK 20                  Ø 6H7 und 10H7  
DK 45-100            Ø 10H7

#### Tooling materials:

Hubs made of anodized aluminum, metal bellows made of stainless steel.  
Stainless steel version also available.

1) Tolerance of keyway: Standard JS9.