

# LIGHTING

## TEF 2460

### PERIMETER LIGHT LED

## ZONE 1, ZONE 2 & SAFE AREA

Subject to change without prior notice TPS4476 REV. D 06.11.2017



Tranberg luminaires are all designed for use in rough environments. It is the policy of Tranberg to provide products and services that meet the highest standards of quality in the industry and the performance needs and expectations of our customers. The design of Tranberg luminaires is based on many years of experience and extensive research in the field of professional Marine lighting. Carefully selected materials are used to ensure maximum performance, low maintenance and a long trouble free life.

#### TECHNICAL DATA

<b>Material:</b>	Hot-forged brass alloy with glass dome
<b>Power consumption:</b>	Model dependent, 4-5 W
<b>Light output:</b>	>30 cd. 0-10° >15 cd. 10-20° >3 cd. 20-90° <60 cd in all directions (According to ICAO Annex 14 Vol. II and CAP 437)
<b>Service life:</b>	50,000 hours
<b>Weight:</b>	4 kg.
<b>IP rating:</b>	IP 66/67
<b>Cable entries:</b>	2x M25x1,5 treaded cable entries
<b>ATEX/Ex classification:</b>	Ex eb mb op is IIC T5 Gb
<b>For use in Zone:</b>	Zone 1, zone 2 and safe area
<b>T<sub>amb</sub>:</b>	-55°C to +55°C
<b>Cable entries:</b>	2 x M25 entries. Delivered with 2 x M25 cable glands, Ø11-20.1mm.

#### APPLICATION

- Perimeter lights on helideck, Onshore & Offshore. Green (100-254 V AC/ 24V DC) or red/green light (24V DC only)
- Zone 1, zone 2 and safe area

#### FEATURES AND BENEFITS

- Integrated terminal box with drain plug/breather
- Maintenance free
- Rugged construction
- Encapsulated electronics. No risk of water intrusion to LED's and electronics
- Instant light
- Resistant to vibrations

#### APPROVAL

IECEx Pre 14.0009  
Presafe 14ATEX4571

# TEF 2460 LED PERIMETER LIGHT LED

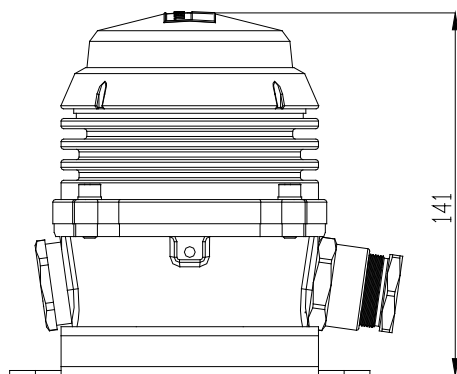
## DESCRIPTION

	Part No.
Luminaire Green Omni-directional 30cd. 100-254V AC	2460 150
Luminaire Green Omni-directional 30cd. 24V ±30% DC	2460 152
Luminaire Green/Red Omni-directional 24V ±30% DC	2460 153

## SPARE PARTS

	Part No.
Glass dome	50480032
Cable gland ATEX / IECEx	Acc. to cable dim.

## DIMENSIONS



000A108346

