



Plug with bayonet coupling nut

Series GB

Item number: GB60-40-35SN-EAC

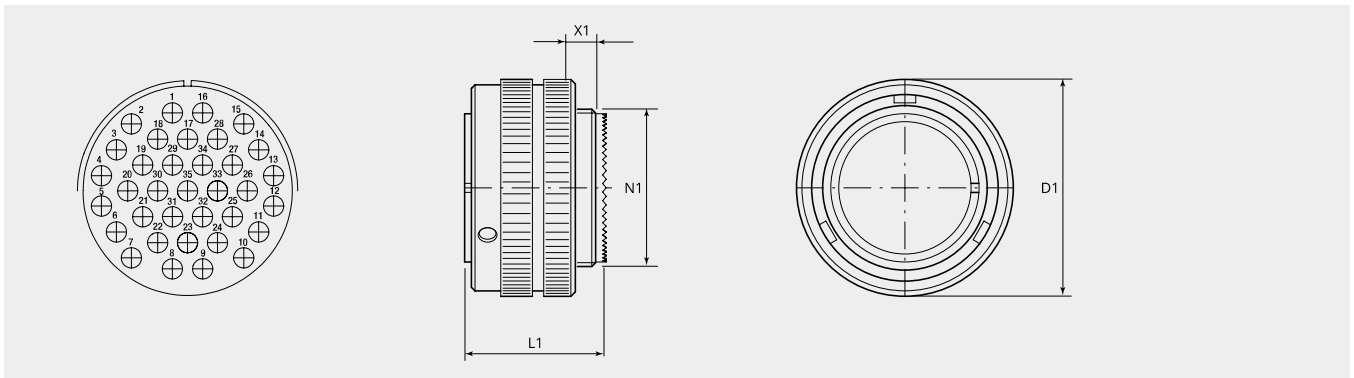
Net weight: 0.1744 kg

Mechanical properties

Size:	40
Contact type:	Socket
Coding options:	4
Number of contacts, size 12:	35
Shell material:	Aluminum alloy
Surface treatment:	Epoxy-polyurethane
Type of surface:	varnished
Thickness of surface treatment:	13-16 μ
Surface colour:	black
Corrosion resistance (h):	500
Operation temperature:	-55°C - +125°C
Temperature shock:	-55°C - +125°C
Conductivity (M Ω):	non conductive
EMI:	No
Material sealing ring:	Silicone
Coupling-torque to lock (Nm):	max. 10.0
Coupling-torque to open (Nm):	min. 5.9

Thermal properties

Material contact insert:	Ethylene acrylate GXF / thermoplastic
Operating temperature / Service temperature:	-55°C - +150°C
Fire protection class DIN EN 45545:	R23/HL3



Dimensional drawing

D1 (Ø):	73
L1 (mm):	38,5
N1:	2 5/16"-16 UN 2A
X1 (mm):	11,3

Electrical properties

Operating voltage AC (V):	130/250*
Voltage class:	SEV-EN60998-1
Contact numbers:	All
Operating voltage DC (V):	1250
Operating voltage AC (V):	900
Test voltage AC (V):	2800
Insulation resistance (MΩ):	≥ 5000
Insulation creepage distance (mm):	≥ 4,8
Voltage class:	MIL-DTL-5015

Electrical properties contacts

Size 12 - nominal current (A):	23
Size 12 - maximal current (A):	41
Size 12 - test current (A):	35

Complementary products:

Counterpart:



GB210-40-35PN-EAC
Receptacle, front panel mount

Backshell:

BSL40-AC
Backshell straight, long



BSN40-M7B-AC
Backshell straight with internal metric thread



BEN40-AC
90° elbow back shell



BEN40-M7B-AC
90° elbow back shell with internal metric thread



BSH40-AC
Back shell with groove for heatshrinkable shapes



BSN40-AC
Back shell straight, standard



BSR40-32-AC
Reducer back shell



BSR40-36-AC
Reducer back shell



BST40-AC
Termination back shell type R for grommets

Cable termination:

10-350349K-403
Synthetic cable clamp



10-350349K-4040
Synthetic cable clamp

Contacts:



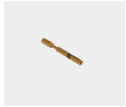
10-40560-11AU

Socket contact size 12, 0.5mm²



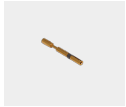
10-40560-15AU

Socket contact size 12, 0.75 - 1.0mm²



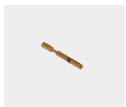
10-40560-18AU

Socket contact size 12, 1.5mm²



10-40560-22AU

Socket contact size 12, 2.5mm²



10-40560-30AU

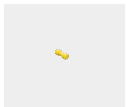
Socket contact size 12, 4.0mm²



10-40560-38AU

Socket contact size 12, 6.0mm²

Filler plugs:



10-101033-131

Filler plug, size 12

Protection cap:



PP40-D

Plastic protection cap to bayonet plugs (GB, GR & GS)



PP40-AC

Metallic protection cap to bayonet plug (GB)
