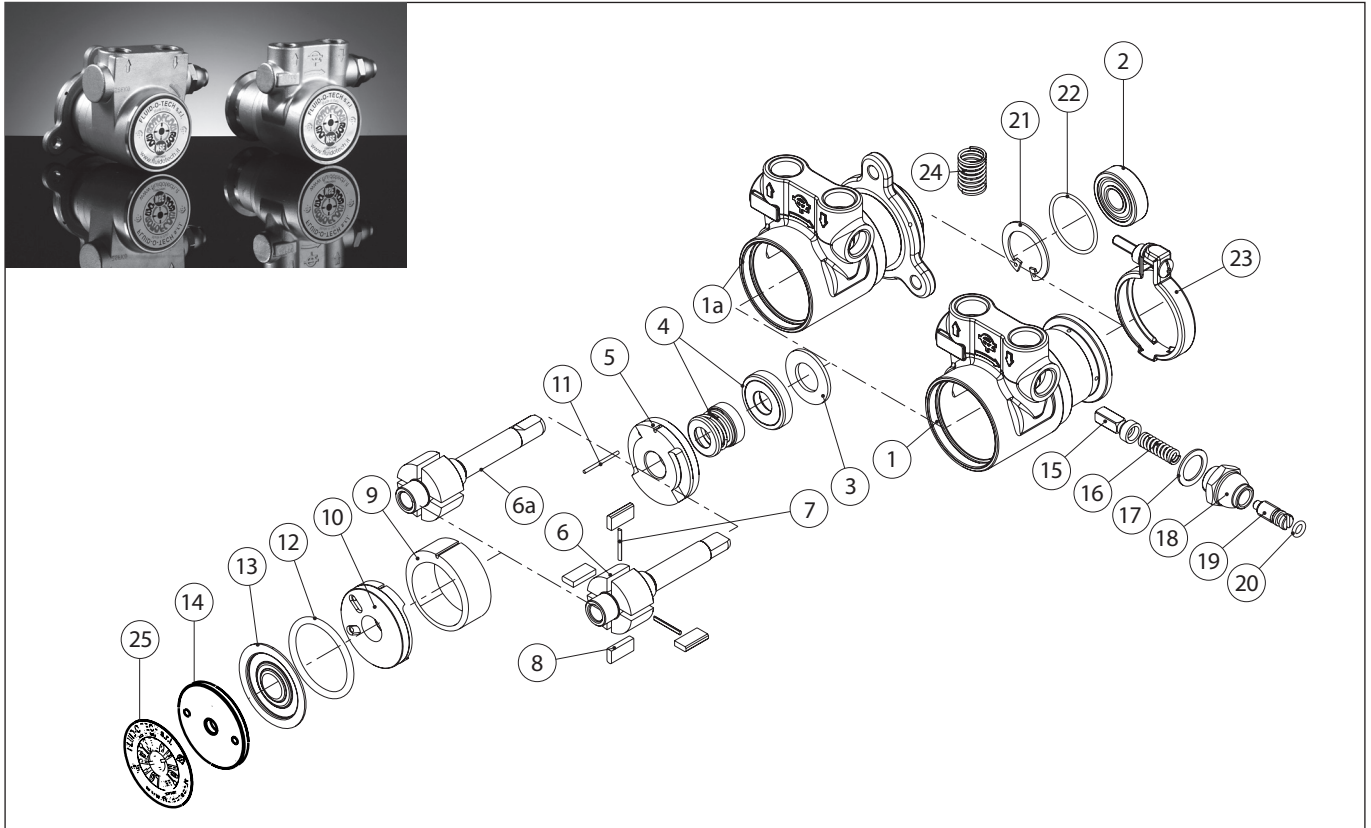


# Stainless steel rotary vane pumps

## PO 70-400 series



Find out more



POS	DESCRIPTION	MATERIAL	CODE	NOTES
1	HOUSING WITH BYPASS	S.S.	22-01-25	NPT PORTS
			22-01-26	GAS PORTS
1A	HOUSING WITH FLANGE	S.S.	22-01-27	NPT PORTS
			22-01-28	GAS PORTS
2	BALL BEARING	STEEL	90-22-01	
3	WASHER	S.S.	22113	
4	MECHANICAL SEAL	CERAMIC/NBR	90-40-01	NSF/WRAS
		CERAMIC/VITON®	90-40-03	
		CERAMIC/EPDM	90-40-05	
5	REAR FLANGE	GRAPHITE	22-03-08	
6	ROTOR	S.S.	22-02-01	
6A	ROTOR FOR FLANGE	S.S.	22-02-02	
7	VANE PIN	S.S.	22-07-02	70-100 l/h
			22-07-03	150 l/h
			22-07-04	200 l/h
			22-07-05	250 l/h
			22-07-06	300 l/h
			22-07-07	350 l/h
8	VANE	GRAPHITE	22-07-08	400 l/h
			22-04-03	

POS	DESCRIPTION	MATERIAL	CODE	NOTES
9	LINER	GRAPHITE	22-05-17	70 l/h
			22-05-18	100 l/h
			22-05-19	150 l/h
			22-05-21	200 l/h
			22-05-23	250 l/h
			22-05-24	300 l/h
			22-05-25	350 l/h
			22-05-27	400 l/h
10	FRONT FLANGE	GRAPHITE	22-03-06	
11	ALIGNMENT PIN	S.S.	22-07-01	
12	O-RING	NBR	90-23-13	NSF/WRAS
		VITON®	90-23-21	
		EPDM	90-23-14	
13	SHAPED DISK	S.S.	22701	
14	THREADED CUP	ALUMINUM	22-08-02	
15	OPEN BYPASS VALVE	PLASTIC	22-16-13	
	SOLID BYPASS VALVE	S.S.	22-16-03	
		PLASTIC	22-16-18	
16	BYPASS SPRING	S.S.	22505	
17	WASHER	NYLON®	22-12-01	NSF/WRAS
18	STANDARD BYPASS NUT	S.S.	22-20-04	
19	STANDARD BYPASS SCREW	S.S.	22520	
20	BYPASS SCREW O-RING	NBR	90-23-16	NSF/WRAS
		VITON®	90-23-20	
		EPDM	90-23-24	
21	SEEGER CIRCLIP	STEEL	22083	
22	BALL BEARING SEAT O-RING	NBR	90-23-26	
23	ASSEMBLED CLAMP	S.S.	94-80-01	
24	RETAINER SPRING	S.S.	22023	
25	LABEL		99-01-01	
			99-01-02	NSF

Fluid-o-Tech reserves the right to alter the specifications indicated in this catalogue at any time and without prior notice.

**Fluid-o-Tech srl**  
Via Leonardo da Vinci, 40  
20094 Corsico, Milano, Italy  
Tel. +39 02 9995 01  
Fax +39 02 9995 0999  
info@fluidotech.it

**Fluid-o-Tech Int'l Inc.**  
161 Atwater St.,  
06479 Plantsville CT (USA)  
Tel. +1 (860) 276 9270  
Fax +1 (860) 620 0193  
info@fluid-o-tech.com

**Fluid-o-Tech Int'l Inc. Japan**  
203, 2-17-19, Ebara, Shinagawa  
Tokyo 142-0063, Japan  
Tel. +81 (0) (3) 3783 9660  
Fax +81 (0) (3) 3783 9661  
k.kato@fluidotech.com

**Fluid-o-Tech Asia (Beijing) Co., Ltd**  
Jingwei Industrial Zone,  
Beifang Huairou, Beijing, 101400, PRC  
Tel. +86 (0) (10) 6168 4650  
Fax +86 (0) (10) 6168 4651  
info@fluidotech-asia.com