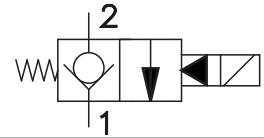
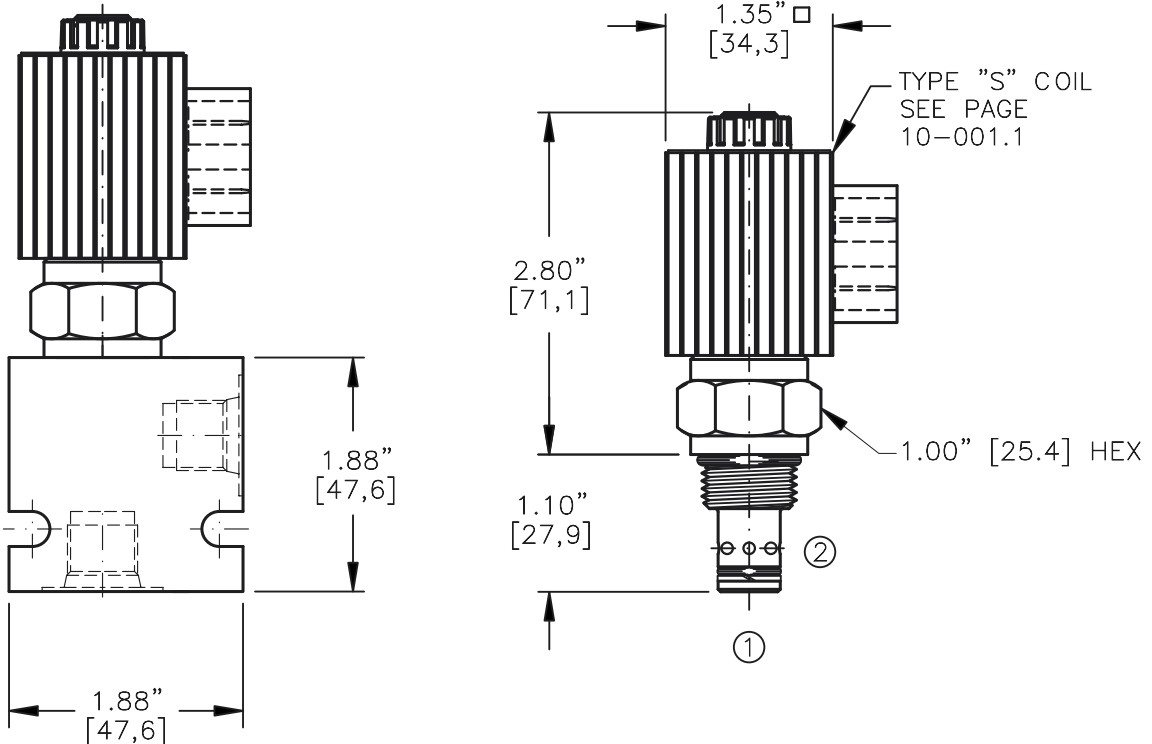


SOLENOID VALVE, NORMALLY CLOSED.  
PILOT OPERATED, POPPET TYPE (2/2)



TORQUE:

Steel = 35/40 Ft-Lb. [47/54 Nm]  
Aluminum = 25/30 Ft-Lb. [34/41 Nm]



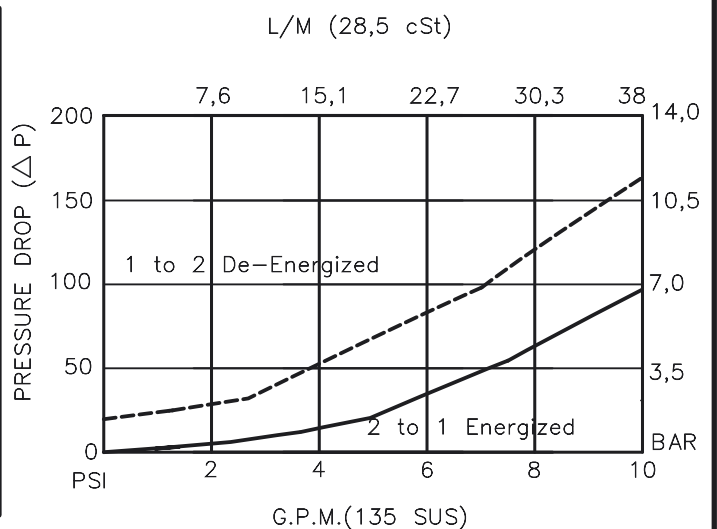
NOTES:

1. FOR ALUMINUM OR STEEL VALVE HOUSING CONFIGURATIONS SEE PAGE 0-011.1
2. SOLENOIDS AVAILABLE WITH DIODES - CONSULT FACTORY.
3. FOR "AC" COILS USE RECTIFIED DIN CONNECTOR 20828.

**EMDV-08-X-C7-X-XXX X**

BASIC \_\_\_\_\_  
 SIZE \_\_\_\_\_  
 08 = 3/4"-16UNF  
 SEALS \_\_\_\_\_  
 N = BUNA "N"  
 V = VITON  
 TYPE \_\_\_\_\_  
 C7=NORMALLY CLOSED POPPET  
 2-WAY, 2-POSITION  
 PORTS \_\_\_\_\_  
 0 = CARTRIDGE ONLY  
 02BX = G 1/4" BSPP  
 06TX = SAE - #6  
 "A" = ALUM. HOUSING  
 "S" = STEEL HOUSING

TERMINALS  
 L = 18GA. 24" LEADS  
 T = SPADE TERM.  
 B = BOLT TERM.  
 G = DIN43650  
 W = WEATHER-PACK  
 D = DEUTSCH-DT04-2P  
 M = METRI-PACK CONN.  
 VOLTAGE AMPS  
 12D = 12 VDC 1.7  
 24D = 24 VDC .9  
 36D = 36 VDC .6  
 48D = 48 VDC .5  
 115D = 115 VDC .2



**SOLENOID VALVE, NORMALLY CLOSED,  
PILOT OPERATED, POPPET TYPE (2/2)****DESCRIPTION**

This unit is a NORMALLY CLOSED, TWO POSITION, cartridge type, poppet type, pilot operated, screw in type, solenoid operated, directional control valve.

**OPERATIONS**

When solenoid coil is de-energized, this valve allows no flow from ports 2 to 1 and free flow from ports 1 to 2. When solenoid coil is energized, the poppet in this valve is shifted and allows flow from ports 2 to 1 and restricted flow from ports 1 to 2.

**FEATURES AND BENEFITS**

Continuous-duty, very low heat rise & waterproof solenoid coil.  
Interchangeable solenoid coils & terminations options available.  
Hardened precision fitted poppet & sleeve provides reliable, long life.  
Very efficient, wet-armature solenoid core tube construction.  
All external carbon steel parts are plated for longer life against the elements.  
All cartridge valves are 100% functionally tested.

**SOLENOID VALVE, NORMALLY CLOSED,  
PILOT OPERATED, POPPET TYPE (2/2)****SPECIFICATIONS**

OPERATING PRESSURE: 5,000 PSI [350 Bar]

PROOF PRESSURE: 10,000 PSI [700 Bar]

FLOW: 10.0 GPM [38 l/m] See performance chart.

INTERNAL LEAKAGE: 5 drops/min [0.25 cc/m] @ 5,000 PSI (350 Bar)

VALVE HOUSINGS: 2500 PSI [175 Bar] = Aluminum – Anodized.

5000 PSI [350 Bar] = Steel – Unplated.

OIL TEMPERATURE: -40° to +175° F. [-40° to +80° C.]

AMBIENT TEMPERATURE: -40° to +122° F. [-40° to +50° C.]

Please consult factory for continuously energized or  
high ambient temperature application (>122° F [50°C])OPERATING MEDIA: All general purpose hydraulic fluids such as  
MIL-H-5606, SAE-#10, SAE-#20, etc.RESPONSE TIME: First indication of change in pressure with 100%  
voltage supplied @ 80% of nominal flow rating.

\* Pull-in: 50 ms

\* Drop-Out: 50 ms

SEAL KIT: SKN-0821 Buna "N"

SKV-0821 Viton

INSTALLATION: No restrictions.

WEIGHT: .80 lb [0,36 kg] cartridge with coil only.

VALVE CAVITY: #C0820, See Page 0-011.0.