

Type: **P3-100/I5/SVB-SW/N/HI11**

Article No.: **207377**

Sales text **I5/SVB main switch**



Ordering information

			BME-CAT Fotos
Produktgruppen-Bezeichnung			T rotary switches, P switch-disconnectors, technical data
			Load current switches
			Main switches with auxiliary contacts and maintenance switches
Design			Surface mounting
Basic type for ... insert mounting form			P3-100/...
Mounting form			I5/SVB-SW/N/HI11
No. of poles		M	3 + N
Description			Without Emergency-Stop function

General

Standards			IEC/EN 60947, VDE 0660, IEC/EN 60204, CSA, UL switch disconnecter according to IEC/EN 60947-3
Lifespan, mechanical	Operations	$\times 10^6$	0,1
Maximum operating frequency	Operations/h		50
Climatic proofing			Damp heat, constant, to IEC 60068-2-78; Damp heat, cyclical, to IEC 60068-2-30
Ambient temperature			

Open		°C	—25...50
Enclosed		°C	—25...40
Mounting position			As required
Mechanical shock resistance to IEC 60068–2–27	Half-sinusoidal shock 20 ms	g	> 15

Contacts

Rated operational voltage	U_e	V AC	690
Rated impulse withstand voltage	U_{imp}	V AC	6000
Overtoltage category/pollution degree			III/3
Rated uninterrupted current			
open	I_u	A	100
Enclosed	I_u	A	100
Load rating with intermittent operation, class 12			
AB 25 % DF		$\times I_e$	2
AB 40 % DF		$\times I_e$	1,6
AB 60 % DF		$\times I_e$	1,3
Short-circuit rating			
Fuse		A gG/gL	100
Rated short-time withstand current (1 s current)	I_{cw}	A_{rms}	2000
Switching angles		°	90
Current heat loss per contact at I_e		W	7,5

Terminal capacities

Solid or stranded		mm ²	1 × (2.5 – 35) 2 × (2.5 – 10)
Flexible with ferrule to DIN 46228		mm ²	1 × (1.5 – 25) 2 × (1.5 – 6)
Terminal screw			M5
Tightening torque		Nm	3

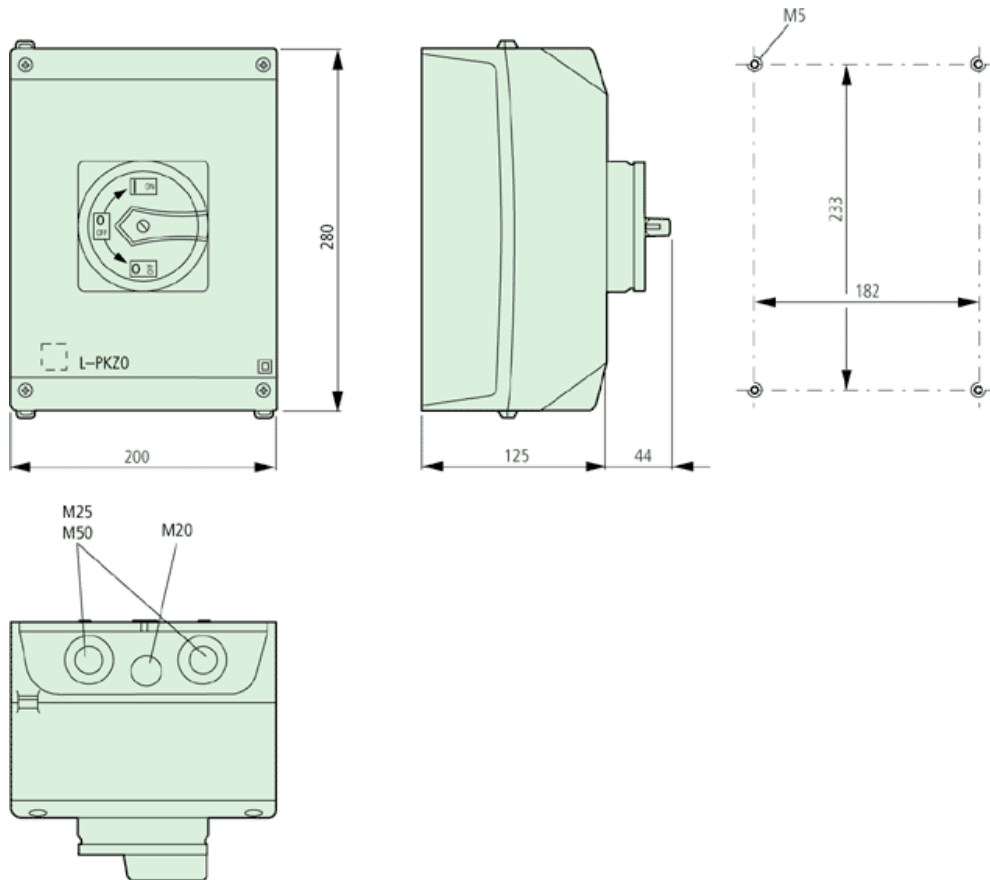
Switching capacity

AC			
Rated making capacity $\cos \phi = 0.35$		A	950
Rated breaking capacity, motor load switch $\cos \phi = 0.35$			
230 V		A	760
400 V		A	740
500 V		A	880
690 V		A	520

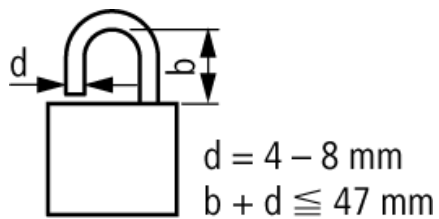
Rated operational current 440 V load-break switch AC-21A	I_e	A	100
AC-3 motor load switch motor rating			
230 V	P	kW	22
400 V	P	kW	37
500 V	P	kW	45
690 V	P	kW	37
AC-23A Motor load switches (main switches maintenance switches)			
230 V	P	kW	30
400 V	P	kW	50
500 V	P	kW	65
690 V	P	kW	45
DC			
DC-1, Load-break switches L/R = 1 ms			
Rated operational current	I_e	A	100
Voltage per contact pair in series		V	60
DC-23A, motor load switch L/R = 15 ms			
24 V			
Rated operational current	I_e	A	50
Contacts		Quantity	1
48 V			
Rated operational current	I_e	A	50
Contacts		Quantity	2
60 V			
Rated operational current	I_e	A	50
Contacts		Quantity	3
120 V			
Rated operational current	I_e	A	25
Contacts		Quantity	3
Notes			
Notes			Main switch characteristics to IEC/EN 60204; positive opening of contacts, operator element positively located on shaft The rated uninterrupted current I_U is stated at max.

connected cross-section.
For terminal capacity solid,
stranded and flexible:
Max. 2 cross-section sizes
difference admissible when
using 2 conductors.

Dimensions

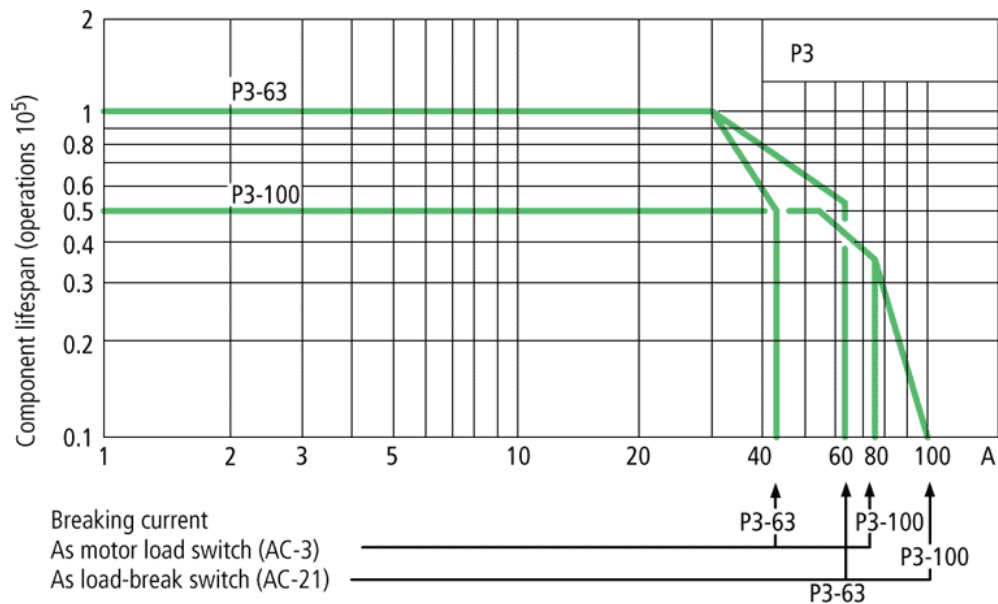


Dimensions



3 Padlocks

Characteristic curve



For utilisation category AC-4 (extreme load: 100 % inching, reversing or plugging)
 The blocked rotor current of the motor should not exceed the rated current of the switch for AC-21A to ensure a reasonable device lifespan.

Moeller GmbH, Hein-Moeller-Str. 7-11, D-53115 Bonn
 E-Mail: catalog@moeller.net, Internet: www.moeller.net, <http://catalog.moeller.net>
 HPL-C2007G V2.1 © 2007 by Moeller GmbH