

# Inverse Time Circuit Breaker Components, 600 A, 600 VAC

## Type NZM 10-...-NA Switch Blocks, Solid State Trip Modules

UL / CSA ; IEC / EN 60 947-2 ; CE

NZM10 inverse time molded case circuit breakers are made up of a switch block and a protective trip module. Switch blocks and trip modules can be ordered separately and combined per the charts and columns shown here to suit any particular application.

Switch block ratings  
Continuous current

Trip module setting ranges

Long time response current setting

Adjustable instantaneous pick-up setting

Adjustable short time delay pick-up setting for selectivity in networks  
Time delay range: 0 - 1000 ms

Compatibility of switch block with trip module  
Dots (●) in each row indicate which trip module can be used with the switch block type shown below. Dashes (-) indicate incompatibility

Refer to chart at bottom of opposite page for resulting interrupting ratings.

$I_u$   
A

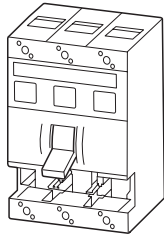
$I_r$   
A

A

A

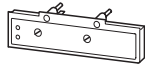
NZM10-400... NZM10-600...

### Switch blocks, suitable for insertion of trip modules



400
400
400
600
600
600

### Solid State Trip Modules



with fixed long time response settings

150	300 - 1800
175	350 - 2100
200	400 - 2400
225	450 - 2700
250	500 - 3000
300	600 - 3600
350	700 - 4200
400	800 - 4800
500	1000 - 6000
600	1200 - 7200

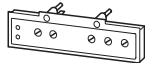
●	●
●	●
●	●
●	●
●	●
●	●
●	●
●	●
-	●
-	●

with adjustable long time response settings

125 - 250	250 - 3000
200 - 400	400 - 4800
300 - 600	600 - 7200

●	●
●	●
-	●

### Solid State Trip Modules for selectivity in networks



with fixed long time response settings

200	1000 - 9000
225	
250	
300	
350	
400	
500	
600	

2 - 12 x I<sub>r</sub>

●	●
●	●
●	●
●	●
●	●
●	●
-	●
-	●

with adjustable long time response setting

200 - 400	1000 - 9000
300 - 600	

400 ... 4800
600 ... 7200

●	●
-	●

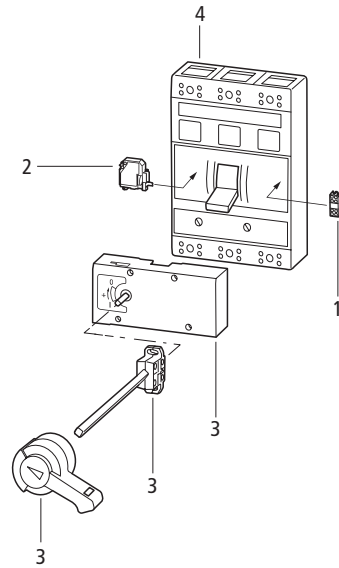
**Inverse Time Circuit Breaker Components, 600 A, 600 V AC**  
Type NZM10-...-NA Switch Blocks, Solid State Trip Modules

UL / CSA ; IEC / EN 60 947-2 ; CE

Circuit Breakers,  
Disconnect Switches, Molded Case Switches

Type	Price	
Article No.	see price list	
<b>NZM10-400N-NA</b> 063922		NZM10 switch blocks make up a complete breaker minus the protective trip module. Add a trip module from below to complete the breaker assembly. Refer to compatibility information on switch blocks and trip modules.
<b>NZM10-400S-NA</b> 063958		
<b>NZM10-400H-NA</b> 063957		
<b>NZM10-600N-NA</b> 063956		
<b>NZM10-600S-NA</b> 063955		
<b>NZM10-600H-NA</b> 063954		
		Refer to chart at bottom of page for resulting interrupting ratings.
<b>ZMA-150-NZM10-NA</b> 226742		ZMA solid state trip modules have a fixed long time response and an adjustable instantaneous pick-up range.
<b>ZMA-175-NZM10-NA</b> 226743		
<b>ZMA-200-NZM10-NA</b> 063952		
<b>ZMA-225-NZM10-NA</b> 063953		
<b>ZMA-250-NZM10-NA</b> 063947		
<b>ZMA-300-NZM10-NA</b> 063946		
<b>ZMA-350-NZM10-NA</b> 063945		
<b>ZMA-400-NZM10-NA</b> 063944		
<b>ZMA-500-NZM10-NA</b> 063943		
<b>ZMA-600-NZM10-NA</b> 063942		
<b>ZM-250-NZM10-NA</b> 226741		ZM solid state trip modules have an adjustable long time response and an adjustable instantaneous pick-up range.
<b>ZM-400-NZM10-NA</b> 063948		
<b>ZM-600-NZM10-NA</b> 063949		
<b>ZMVA-200-NZM10-NA</b> 063941		Features of ZMV(A)... trip modules used for selectivity: Fixed (ZMVA...) or adjustable (ZMV...) long time response current (2, 4, 6, 8, 10, 12, 14, 17, 20 sec.) Adjustable time delay (2-20 sec.) for current levels at 6 x the long time response current (I <sub>t</sub> ). Long time response current can be disconnected (t <sub>r</sub> = 00) Adjustable time delay pick-up setting (0, 10, 50, 100, 150, 200, 300, 500, 750, 1000 ms). Adjustable instantaneous pick-up response.  Note: ZMVA... and ZMV trip modules cannot be combined with NZM 10-400H-NA and NZM10-600H-NA switch blocks.
<b>ZMVA-225-NZM10-NA</b> 063940		
<b>ZMVA-250-NZM10-NA</b> 063939		
<b>ZMVA-300-NZM10-NA</b> 063938		
<b>ZMVA-350-NZM10-NA</b> 063937		
<b>ZMVA-400-NZM10-NA</b> 063936		
<b>ZMVA-500-NZM10-NA</b> 063935		
<b>ZMVA-600-NZM10-NA</b> 063934		
<b>ZMV-400-NZM10-NA</b> 063950		
<b>ZMV-600-NZM10-NA</b> 063951		

**Notes:**



Accessories	Page
1 Auxiliary contacts	09/042
2 Voltage trips	09/043
3 Handles and operators	09/045
4 Terminals	09/051

Compatible trip modules will easily fit into the front part of the switch block. Incompatible trip modules and switch block combinations are mechanically blocked to prevent creation of improper combinations.

NZM 10 switch blocks are supplied with toggle operators as standard.

NZM 10 circuit breakers and molded case switches are supplied with bolt-on connection as standard.

**UL/CSA interrupting ratings (AC, 60Hz)**

Type	RMS sym. kA @		
	240V	480V	600V
<b>NZM10-...N/ZM(V)(A)-...-NA</b>	65	42	35
<b>NZM10-...S/ZM(V)(A)-...-NA</b>	100	65	42
<b>NZM10-...H/ZM(V)(A)-...-NA</b>	200	100	50