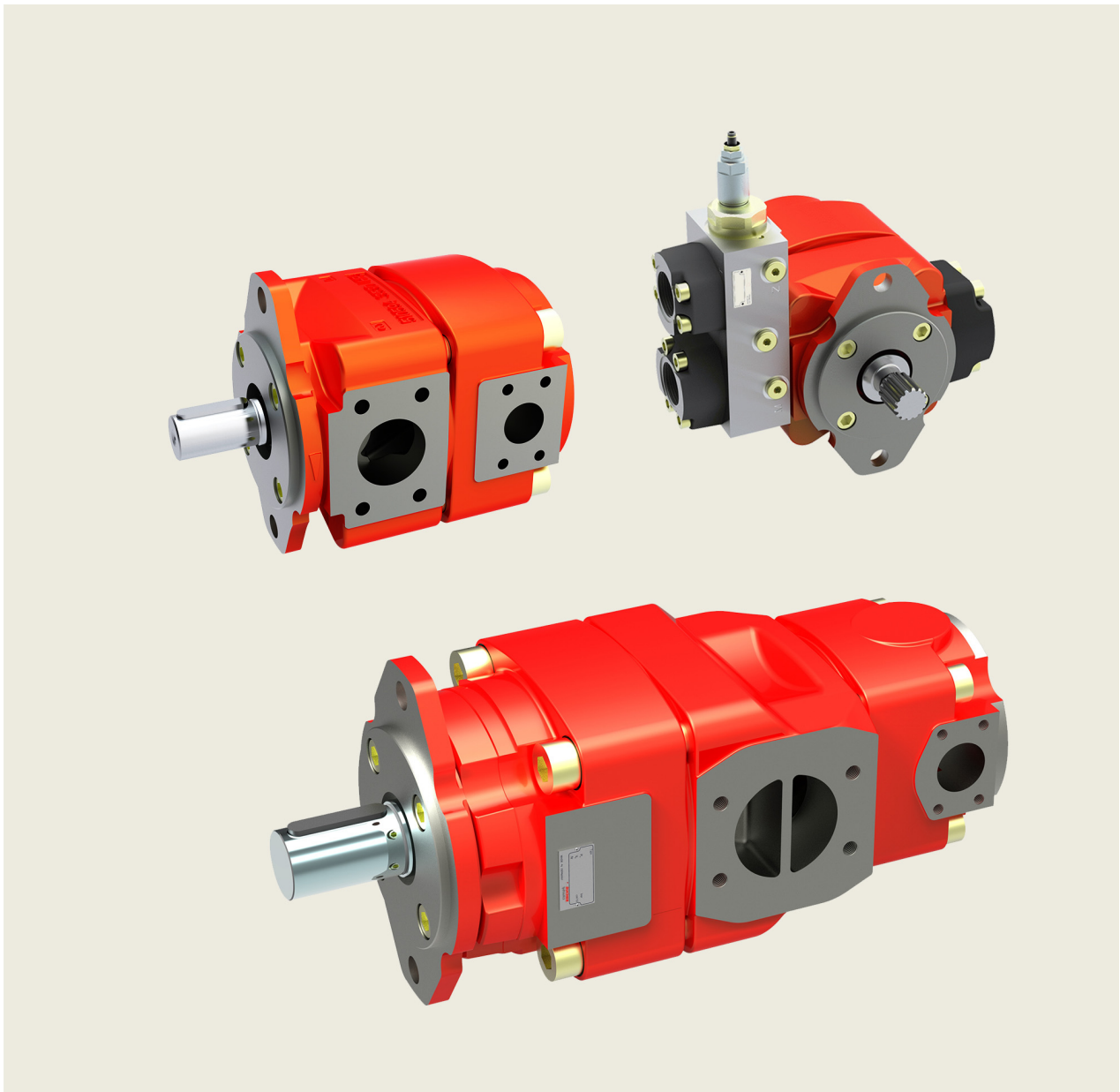


Internal Gear Pumps

Series QX



Contents	Page
1	General 5
1.1	Product description 5
1.2	Advantages 5
1.3	ATEX compliant explosion protection 5
2	Technical data 5
2.1	General (deviating values according manufacturer's specification) 5
2.2	Main characteristics for pressure range 1 6
2.3	Main characteristics for pressure range 2 7
2.4	Main characteristics for pressure range 3 7
2.5	Main characteristics for pressure range 4 8
3	Performance graphs 8
3.1	Noise level (Lp) 8
3.2	Efficiency (η) 9
3.3	Operation with variable-speed drives 10
4	Single pumps 11
4.1	Dimensions frame size 2 - 4 11
4.2	Dimensions frame size 5 - 8 12
4.3	Pressure range 1 13
4.4	Pressure range 2 13
4.5	Pressure range 3 14
4.6	Pressure range 4 14
4.7	Pressure range 4 with low-flow capability 15
4.8	Ordering code for single pumps 16
5	Double pumps 17
5.1	Selection table 17
5.2	Dimensions 18
5.3	Ordering code for double pumps 27
6	Triple pumps 28
6.1	Selection table 28
6.2	Ordering code for triple pumps 29
7	Low-flow capability pump in combination with other QX-single pumps 30
7.1	Dimensions 30
7.2	Ordering code 31

8	Fluid	32
9	Fluid cleanliness class	32
10	Operational reliability	32
11	Note	32
12	Accessories	33
12.1	Bolt-on valves - SAE J518 code 61 / ISO 6162-1 pattern	33
12.2	Pipe flanges - high pressure type	34
12.3	Pipe flanges - low pressure type	35

IMPORTANT: The main characteristics are valid for hydraulic oils DIN 51524 with a viscosity of 20 ... 50mm²/s.
The operating pressure at the pump outlet side is specified also for fire-resistant fluids (HFC).

2.2 Main characteristics for pressure range 1

Displacement	Flow rate	Maximum speed	Code	Max. operating pressure at the pump outlet side				Torque	Power consumption
				continuous [bar]		intermittent [bar] ²⁾			
effective	1450 min ⁻¹ p = 0 bar			Mineral oil	HFC	Mineral oil	HFC	[Nm] ³⁾	[kW] ⁴⁾
[cm ³ /U] ¹⁾ [cm ³ /rev] ¹⁾	[l/min]	[rpm]							
10,3	14,9	3600	QX21-010	160	130	210	180	26	4,0
12,6	18,3	3600	QX21-012	125	100	160	135	25	3,8
15,9	23,0	3600	QX21-016	100	80	125	100	25	3,9
20,0	29,0	3000	QX31-020	160	130	210	180	51	7,7
25,3	36,7	3000	QX31-025	125	100	160	135	50	7,7
31,2	45,2	3000	QX31-032	100	80	125	100	50	7,5
40,7	59,0	3000	QX41-040	160	130	210	180	104	15,7
50,3	72,9	2600	QX41-050	125	100	160	135	100	15,2
64,7	93,8	2300	QX41-063	100	80	125	100	103	15,6
78,6	114	2300	QX51-080	160	130	210	180	200	30,4
101,1	146	2100	QX51-100	125	100	160	135	201	30,5
127,3	184	1800 ⁵⁾	QX51-125	100	80	125	100	203	30,8
160,5	232	1800 ⁶⁾	QX61-160	160	130	210	180	409	62,0
202,1	293	1800 ⁶⁾	QX61-200	125	100	160	135	402	61,0
249,7	362	1800 ⁶⁾	QX61-250	100	80	125	100	397	60,4
326,0	472	1750 ⁶⁾	QX81-315	160	130	210	180	830	126,0
402,6	583	1750 ⁶⁾	QX81-400	125	100	160	135	801	121,6
498,5	722	1500 ⁶⁾	QX81-500	100	80	125	100	793	120,5

1) Due to manufacturing tolerances, there may be slight variations in the displacement.

2) max. 20 second and not more than 10% of the duty cycle

3) theoretical value at the max. permitted continuous pressure for mineral oil

4) theoretical value at the max. permitted continuous pressures for mineral oil at n = 1450 rpm

5) for speeds > 1450 rpm, the min. permissible inlet pressure is 0.95 bar absolute. For HFC application a second suction port may be required

6) max. speed only possible with a second suction port, see section 2.2.1.

2.2.1 Suction arrangements for pump types QX61 and QX81

IMPORTANT: Minimum inlet pressure is 0.95 bar absolute with viscosity 10 ... 100 mm²/s (other values on request).

Type	Speed 1500 rpm Suction height		Speed 1800 rpm Suction height	
	up to 150 mm	over 150 mm	up to 150 mm	over 150 mm
QX61-160	I	I	I	II
QX61-200	I	I	I	II
QX61-250	I	II	II	II
QX81-315	I	II	II	II
QX81-400	II	II	II	-
QX81-500	II	II	-	-

I = standard pump with one suction port

II = model with two suction ports

All pump types coded II can be used without the second suction port up to 1200 rpm.

2.3 Main characteristics for pressure range 2

Displacement	Flow rate	Maximum speed	Code	Max. operating pressure at the pump outlet side				Torque	Power consumption
				continuous [bar]		intermittent [bar] ²⁾			
				Mineral oil	HFC	Mineral oil	HFC		
[cm ³ /rev] ¹⁾	[l/min]	[rpm]					[Nm] ³⁾	[kW] ⁴⁾	
5,1 6,3 8,0	7,4 9,1 11,5	3600	QX22-005 QX22-006 QX22-008	210	180	250	210	17 21 27	2,6 3,2 4,0
10,0 12,6 15,6	14,5 18,3 22,6	3400	QX32-010 QX32-012 QX32-016	210	180	250	210	34 42 52	5,1 6,4 7,9
20,4 25,1 32,4	29,5 36,4 46,8	3200	QX42-020 QX42-025 QX42-032	210	180	250	210	68 84 108	10,4 12,7 16,5
39,3 50,6 63,7	56,9 73,2 92,1	2800	QX52-040 QX52-050 QX52-063	210	180	250	210	132 170 213	19,9 25,7 32,3
80,2 101,0 124,8	116 146 181	2500 ⁵⁾ 2300 ⁵⁾ 2000 ⁵⁾	QX62-080 QX62-100 QX62-125	210	180	250	210	268 338 417	40,7 51,2 63,4
163,0 201,3 249,2	236 291 361	1800 ⁵⁾ 1750 ⁵⁾ 1500 ⁵⁾	QX82-160 QX82-200 QX82-250	210	180	250	210	544 672 833	82,7 102,1 126,5

2.4 Main characteristics for pressure range 3

Displacement	Flow rate	Maximum speed	Code	Max. operating pressure at the pump outlet side				Torque	Power consumption
				continuous [bar]		Intermittent [bar] ²⁾			
				Mineral oil	HFC	Mineral oil	HFC		
[cm ³ /rev] ¹⁾	[l/min]	[rpm]					[Nm] ³⁾	[kW] ⁴⁾	
5,1 6,3 8,0	7,4 9,1 11,5	3600	QX23-005 QX23-006 QX23-008	320	280	400	350	26 32 41	4,0 4,9 6,2
10,0 12,6 15,6	14,5 18,3 22,6	3400	QX33-010 QX33-012 QX33-016	320	280	400	350	51 64 80	7,7 9,7 12,1
20,4 25,1 32,4	29,5 36,4 46,8	3200	QX43-020 QX43-025 QX43-032	320	280	400	350	104 128 165	15,8 19,4 25,0
39,3 50,6 63,7	56,9 73,2 92,1	2800	QX53-040 QX53-050 QX53-063	320	280	400	350	200 258 321	30,4 39,1 49,3
80,2 101,0 124,8	116 146 181	2500 ⁵⁾ 2300 ⁵⁾ 2000 ⁵⁾	QX63-080 QX63-100 QX63-125	320	280	400	350	409 514 636	62,0 78,1 96,5
163,0 201,3 249,2	236 291 361	1800 ⁵⁾ 1750 ⁵⁾ 1500 ⁵⁾	QX83-160 QX83-200 QX83-250	320	280	400	350	830 1025 1270	126,0 155,7 192,7

1) Due to manufacturing tolerances, there may be slight variations in the displacement.

2) max. 20 second and not more than 10% of the duty cycle

3) theoretical value at the max. permitted continuous pressure for mineral oil

4) theoretical value at the max. permitted continuous pressures for mineral oil at n = 1450 rpm

5) for speeds > 1450 rpm, the min. permissible inlet pressure is 0.95 bar absolute. For HFC application a second suction port may be required

2.5 Main characteristics for pressure range 4

Displacement	Flow rate	Maximum speed	Code	Max. operating pressure at the pump outlet side				Torque	Power consumption
				continuous [bar]		Intermittent [bar] ²⁾			
				Mineral oil	HFC	Mineral oil	HFC		
effective	1450 min ⁻¹ p = 0 bar								
[cm ³ /rev] ¹⁾	[l/min]	[rpm]					[Nm] ³⁾	[kW] ⁴⁾	
3,3 4,2	4,8 6,2	3600	QX24-003 QX24-004	320	280	400	350	17 21	2,6 3,2
5,1 6,3 8,0	7,4 9,1 11,5	3600	QX24-005 QX24-006 QX24-008	360	320	400	350	29 36 46	4,4 5,5 7,0
10,0 12,6 15,6	14,5 18,3 22,6	3600	QX34-010 QX34-012 QX34-016	360	320	400	350	57 72 89	8,7 11,0 13,6
20,4 25,1 32,4	29,5 36,4 46,8	3600	QX44-020 QX44-025 QX44-032	360	320	400	350	117 144 186	17,7 21,8 28,2
39,3 50,6 63,7	56,9 73,2 92,1	3000	QX54-040 QX54-050 QX54-063	340	280	400	350	213 274 345	32,3 41,6 52,3
80,2 101,0 124,8	116 146 181	2500 ⁵⁾ 2300 ⁵⁾ 2000 ⁵⁾	QX64-080 QX64-100 QX64-125	330	280	400	350	421 530 655	64,0 80,5 99,5
163,0 201,3 249,2	236 291 361	1800 ⁵⁾ 1750 ⁵⁾ 1500 ⁵⁾	QX84-160 QX84-200 QX84-250	330	280	400	350	856 1057 1309	130,0 160,5 198,7

1) Due to manufacturing tolerances, there may be slight variations in the displacement.

2) max. 20 second and not more than 10% of the duty cycle

3) theoretical value at the max. permitted continuous pressure for mineral oil

4) theoretical value at the max. permitted continuous pressures for mineral oil at n = 1450 rpm

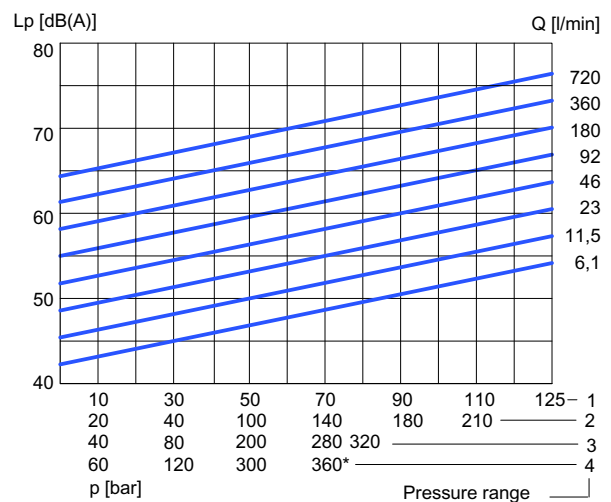
5) for speeds > 1450 rpm, the min. permissible inlet pressure is 0.95 bar absolute.

3 Performance graphs

IMPORTANT: The performance graphs shown are valid for the specified pump models.
For other pump sizes, contact Bucher Hydraulics GmbH.

3.1 Noise level (L_p)

measured to DIN 45635, Part 26, in Stuttgart University's low-echo noise measurement chamber:
measurement distance 1 m
speed n = 1500 rpm
viscosity = 42 mm²/s



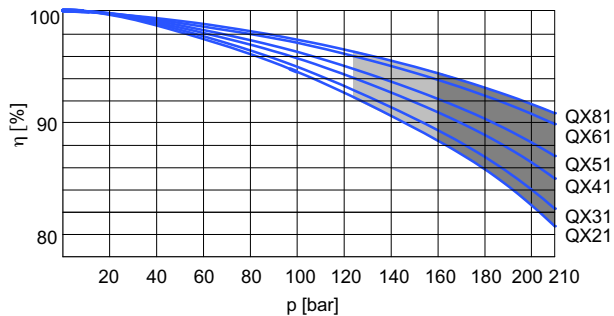
*Max. continuous operating pressure for pressure range 4 see section 2.5

3.2 Efficiency (η)

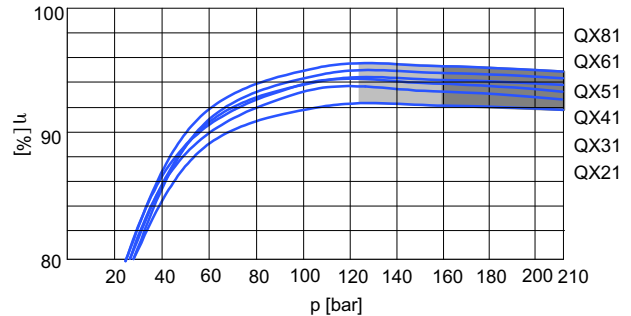
measured at speed 1450 rpm, viscosity 42 mm²/s

3.2.1 Pressure range 1

3.2.1.1 Volumetric efficiency



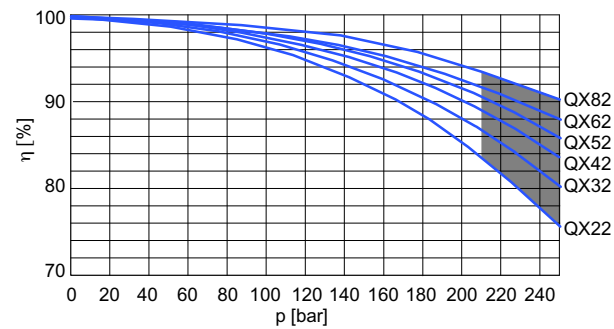
3.2.1.2 Hydromechanical efficiency



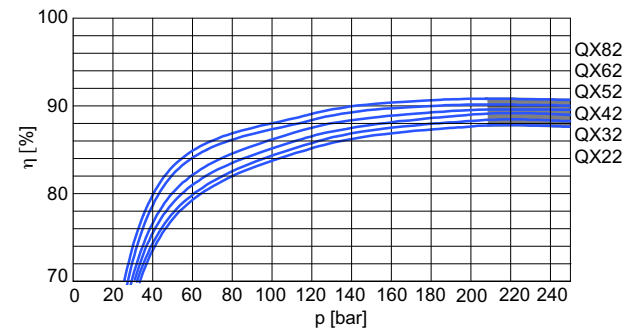
intermittent operating pressure as a function of displacement (see section 2.2)

3.2.2 Pressure range 2

3.2.2.1 Volumetric efficiency



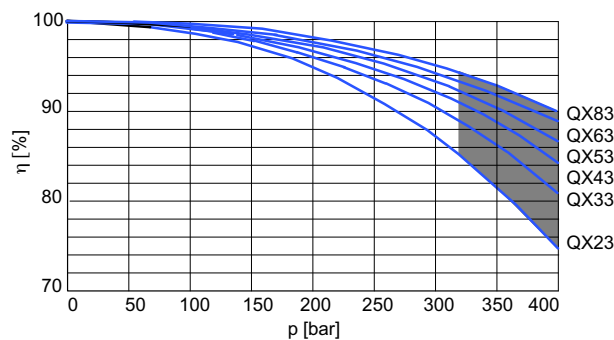
3.2.2.2 Hydromechanical efficiency



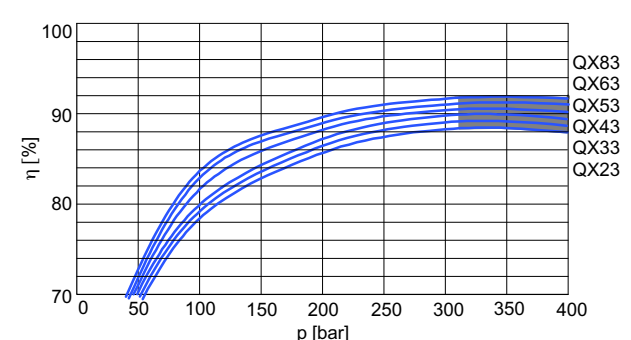
intermittent operating pressure

3.2.3 Pressure range 3

3.2.3.1 Volumetric efficiency



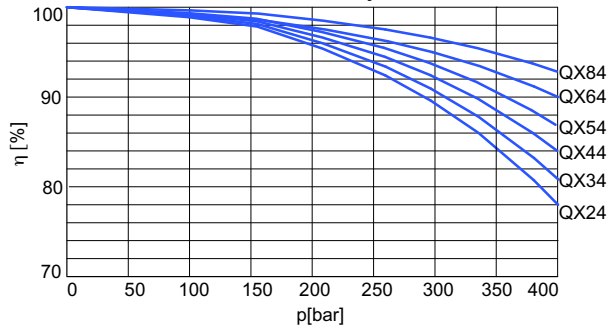
3.2.3.2 Hydromechanical efficiency



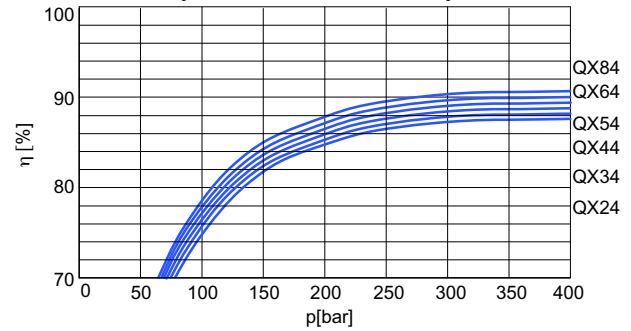
intermittent operating pressure

3.2.4 Pressure range 4

3.2.4.1 Volumetric efficiency



3.2.4.2 Hydromechanical efficiency

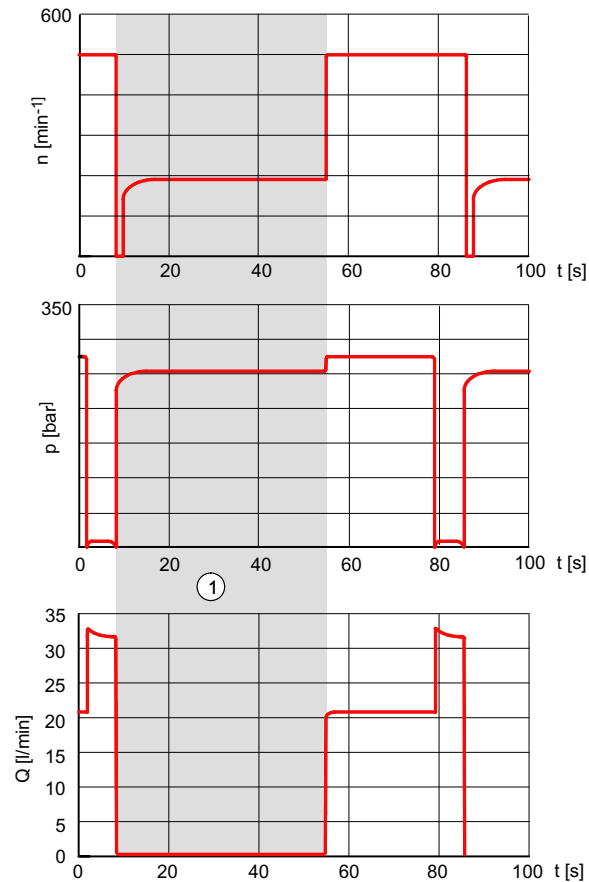


3.3 Operation with variable-speed drives

IMPORTANT: The following main characteristics are to be understood as examples only. They are valid only for the specified pump models and parameters. We would be very happy to advise you on the layout of your drive. QX pumps with variable-speed drive all contain an external drain port.

3.3.1 Typical loading cycle for a QX pump with variable-speed drive

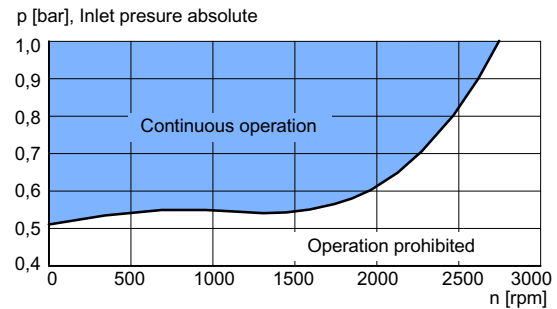
Pump QX53-063 with viscosity 20 mm²/s



1 pressure-holding operation
Q = 0 l/min for up to 60 s

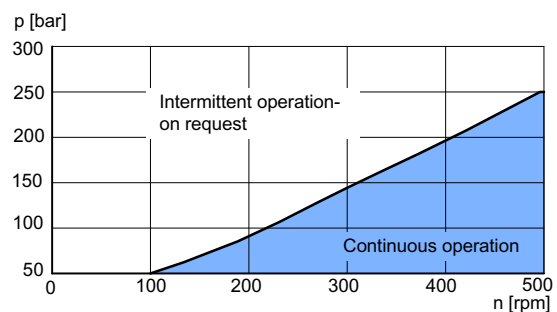
3.3.2 Minimum pressure at suction port as a function of speed

Pump QX53-063 measured: with viscosity 42 mm²/s



3.3.3 Minimum speed as a function of pressure

Pump QX53-063 measured with viscosity 42 mm²/s



4 Single pumps

4.1 Dimensions frame size 2 - 4

Frame size		2				3				4				
Pressure range		1	2	3	4 ⁵⁾	1	2	3	4	1	2	3	4	
Suction port: to SAE J518 ¹⁾	S	G1" ³⁾ thread				G1 ¼" ³⁾ thread				1½"				
Pressure port: to SAE J518 ¹⁾	P	G ½" ^{3) 4)} thread				G ¾" ^{3) 4)} thread				1"				
External drain port (option 06) pressure range 1-3 optional pressure range 4 standard	①	G ¼"				G ¼"				G ¼"				
Mounting: oval 2-hole flange to ISO 3019/1 (SAE) ISO 3019/2 (metric)	A	118				132				170				
	B (SAE)	-				106				146				
	B (Metr.)	100				109				140				
	C	9				11				14				
	N (SAE)	-				82,55 _{-0,05}				101,6 _{-0,05}				
	N (Metr.)	63 h8				80 h8				100 h8				
	O	8,5				8,5				10,5				
	V	6				6				7				
4-hole flange ISO 3019/2	X (Metr.)	9				9				12				
	Y (Metr.)	85				103				125				
Shaft end: parallel, to ISO/R775 ²⁾	D	20 j6				25 j6				32 j6				
	E	36				42				58				
	F	6				8				10				
	G	22,5				28				35				
	I	45				50				68				
Housing	K	38			37,5	44				52			52,5	
	L	136	118	153	192	164	144	189	232,5	202	176	232	286	
	M	-	55	90	125	-	70	114	159,5	-	87	143	199	
	T1	43				54				53,5	67			
	T2	43				54	60			67	70			
	Z	100				120				125				
	W	80				100				136				
Weight	kg	6	6	7	8	10	10	13	15	20	18	22	27	

1) Pipe flange dimensions, SAE J518 code 61 / ISO 6162-1.
 - high pressure type up to 420 bar (see section 12.2)
 - low pressure type for up to 16 bar (see section 12.3)

2) For other shaft ends, contact Bucher Hydraulics GmbH.

3) Threaded port to DIN 3852, Part 2.

4) Pressure port to SAE J518 code 61 / ISO 6162-1 can be supplied for pressure ranges 2 + 3.

5) The dimensions are not valid for low-flow capability pumps (3,3 cm³/U and 4,2 cm³/U, see chapter 4.7).

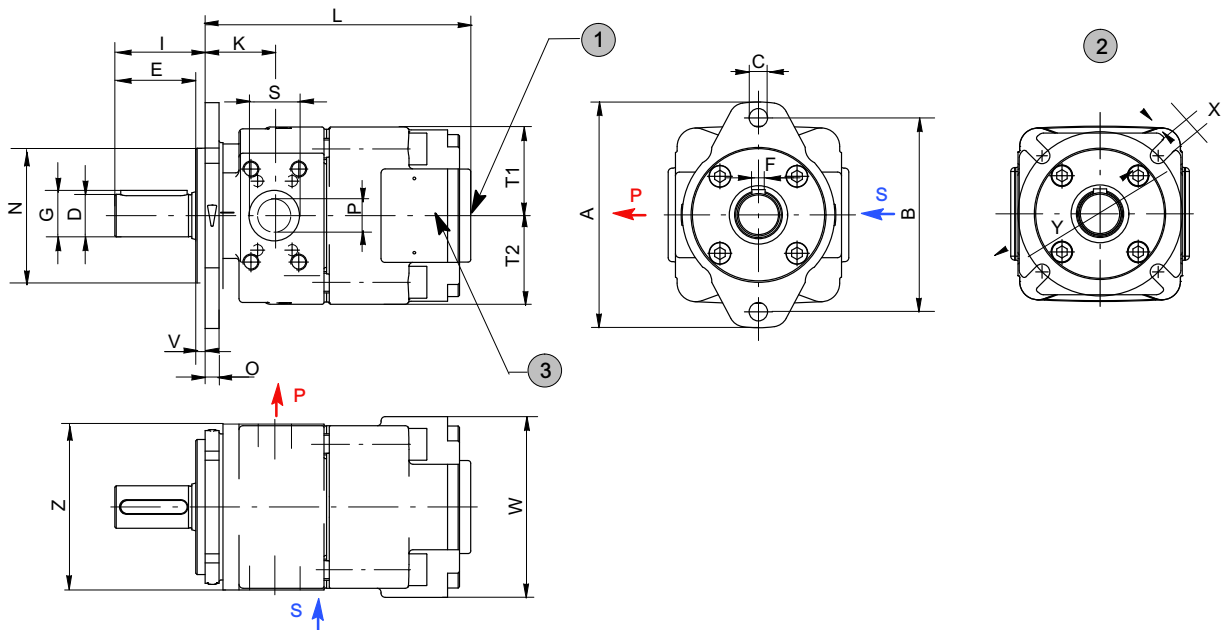
4.2 Dimensions frame size 5 - 8

Frame size		5				6				8			
Pressure range		1	2	3	4	1	2	3	4	1	2	3	4
Suction port: to SAE J518 ¹⁾	S	2"				2½"				3"			
Pressure port: to SAE J518 ¹⁾	P	1¼"				1½"				2"			
External drain port (option 06) pressure range 1-3 optional pressure range 4 standard	①	G ¼"				G ⅜"				G ½"			
Mounting: oval 2-hole flange to ISO 3019/1 (SAE) ISO 3019/2 (metric)	A	212				267				330			
	B (SAE)	181				229				-			
	B (Metr.)	180				224				280			
Mounting: oval 2-hole flange to ISO 3019/1 (SAE) ISO 3019/2 (metric)	C	18				22				26			
	N (SAE)	127 -0,05				152,4 -0,05				-			
	N (Metr.)	125 h8				160 h8				200 h8			
	O	12,5				16,5				20			
	V	7				7				9			
4-hole flange ISO 3019/2	X (Metr.)	14				18				22			
	Y (Metr.)	160				200				250			
Shaft end: parallel, to ISO/R775 ²⁾	D	40 j6				50 j6				63 j6			
	E	82				82				105			
	F	12				14				18			
	G	43				53,5				67			
	I	92				92				117			
Housing	K	60			60,5	74				90			
	L	242	210	280	349	288	248	338	429	361	331	446	446
	M	-	102	172	242	-	119	209	299	-	151	266	266
	T1	89				107	110			137	138		
	T2	89				107	110			137	138		
	Z	156				195	197			250			
	W	165				203				256			
Weight	kg	36	32	41	50	64	57	77	90	130	118	160	200

1) Pipe flange dimensions, SAE J518 code 61 / ISO 6162-1.
 - high pressure type up to 420 bar (see section 12.2)
 - low pressure type for up to 16 bar (see section 12.3)

2) For other shaft ends, contact Bucher Hydraulics GmbH.

4.3 Pressure range 1

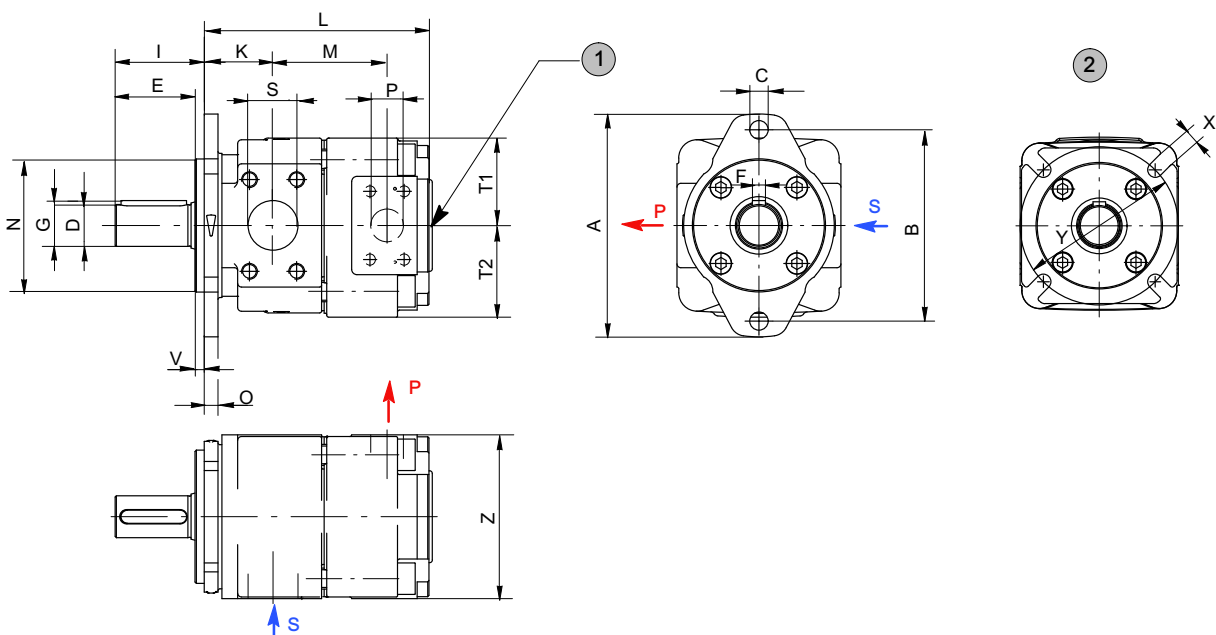


1 option 06 = external drain port

2 option 66 = special model 4-hole flange ISO 3019/2

3 depending on operating conditions, a second suction port may be required on:
QX51=SAE 1 1/4", QX61=SAE 2",
QX81=SAE 2 1/2" - see section 2.2.1

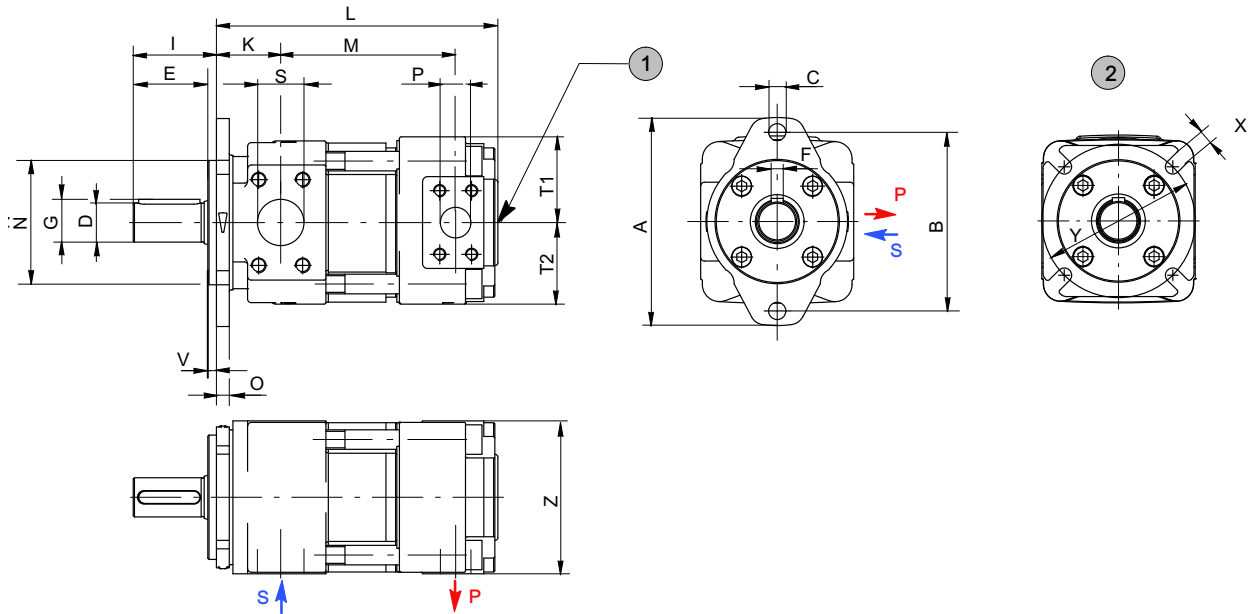
4.4 Pressure range 2



1 option 06 = external drain port

2 option 66 = special model 4-hole flange ISO 3019/2

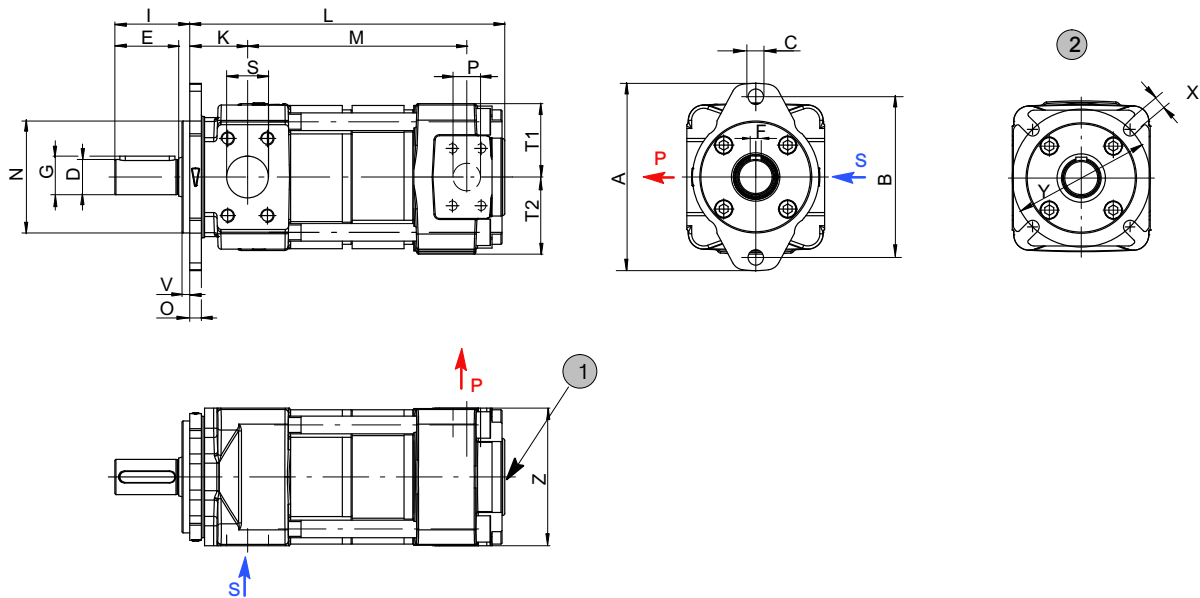
4.5 Pressure range 3



1 external drain port - see special feature 06

2 option 66 = special model 4-hole flange ISO 3019/2

4.6 Pressure range 4

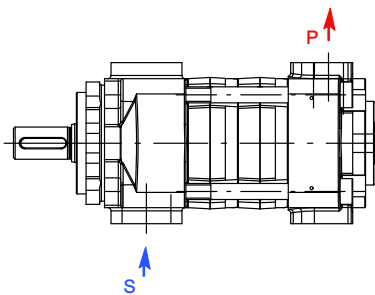
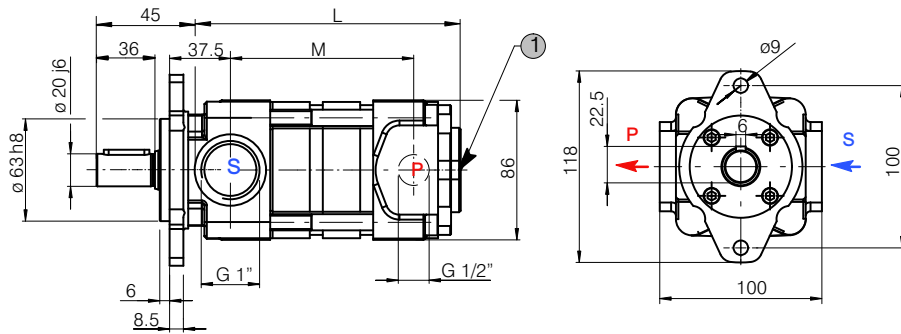


1 external drain port - see special feature 06

2 option 66 = special model 4-hole flange ISO 3019/2

4.7 Pressure range 4 with low-flow capability

QX24 with displacements from 3 and 4 cm³/U.



	L	M
3,3 & 4,2 cm ³ /U	179,5	113

1 external drain port G 1/4"

5 Double pumps

QX double pumps consist of two single pumps mounted on a common drive shaft. Hydraulically, the two pumps operate independently of one another but they share a common suction port in the pump's centre section. The larger pump of the combination is situated at the shaft end (the drive side) and is referred to as pump 1. With equal frame sizes, the pump with the larger displacement is situated at the drive side.

Double pumps can be combined as shown in the following table. If a letter is shown at the intersection point of the two pumps, the letter identifies the page in section 5.2 that contains the relevant dimensional drawing. If there is no letter at the intersection point, then that pump combination is not possible.

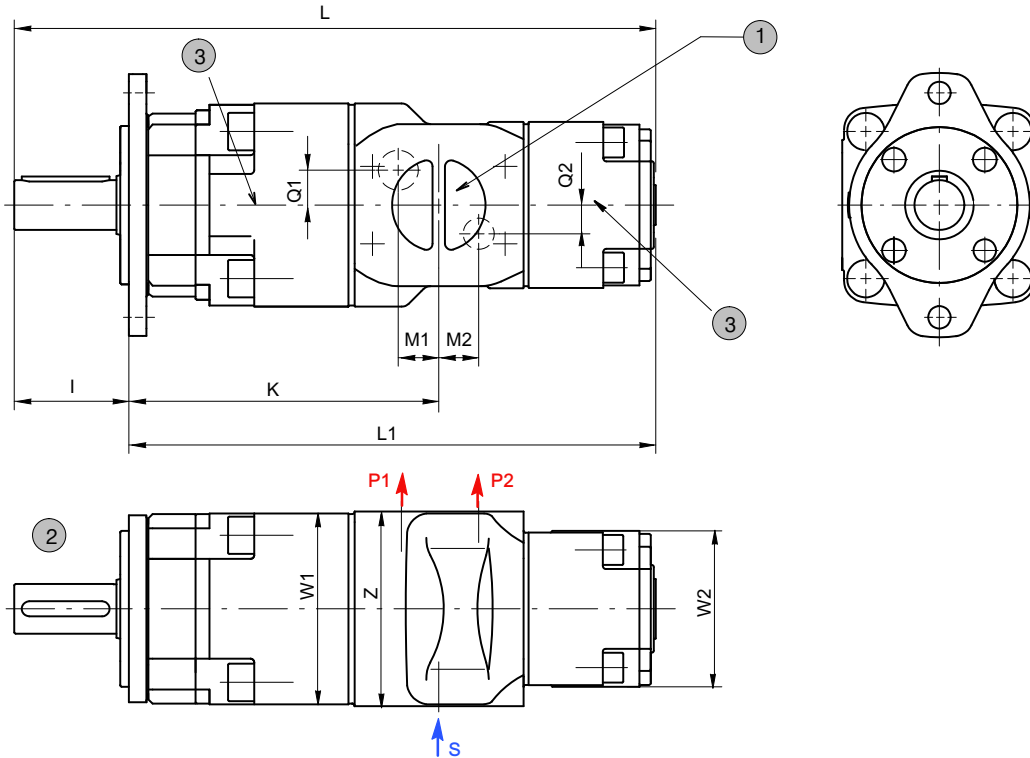
IMPORTANT: Double pumps with pressure range 4 on request.

5.1 Selection table

		Pump 2																			Maximum permissible torque [Nm] drive side					
		Displacement [cm ³ /rev]																								
		5/6/8			10/12/16			20/25/32			40/50/63			80/100/125			160/200/250			315 400 500						
		Maximum pressure [bar]																								
		250		400		125 160 210		250		400		125 160 210		250		400		125 160 210		250		400		125 160 210		
		QX22..	QX23..	QX21..	QX32..	QX33..	QX31..	QX42..	QX43..	QX41..	QX52..	QX53..	QX51..	QX62..	QX63..	QX61..	QX82..	QX83..	QX81..							
Pump 1	5/6/8	250	QX22..	E																					65	
		400	QX23..	H	I																					
	10/12/16	125/160 210	QX21..	B	C	A																				130
		250	QX32..	E	F	D	E																			
	20/25/32	400	QX33..	H	I	G	H	I																		260
		125/160 210	QX31..	B	C	A	B	C	A																	
	40/50/63	250	QX42..	E	F	D	E	F	D	E																520
		400	QX43..	H	I	G	H	I	G	H	I															
	80/100/125	125/160 210	QX41..	B	C	A	B	C	A	B	C	A														1050
		250	QX52..	E	F	D	E	F	D	E	F	D	E													
	160/200/250	400	QX53..	H	I	G	H	I	G	H	I	G	H	I												2100
		125/160 210	QX51..	B	C	A	B	C	A	B	C	A	B	C	A											
	315 400 500	Maximum pressure [bar]	250	QX62..				E	F	D	E	F	D	E	F	D	E									2100
			400	QX63..				H	I	G	H	I	G	H	I	G	H	I								
			125/160 210	QX61..				B	C	A	B	C	A	B	C	A	B	C	A							
	315 400 500	Maximum pressure [bar]	250	QX82..							E	F	D	E	F	D	E	F	D	E					2100	
			400	QX83..							H	I	G	H	I	G	H	I	G	H	I					
			125/160 210	QX81..								B	C	A	B	C	A	B	C	A	B	C	A			

5.2 Dimensions

A Double pumps QX.1/1



1	S = common suction port
2	shaft and mounting dimensions see section 4

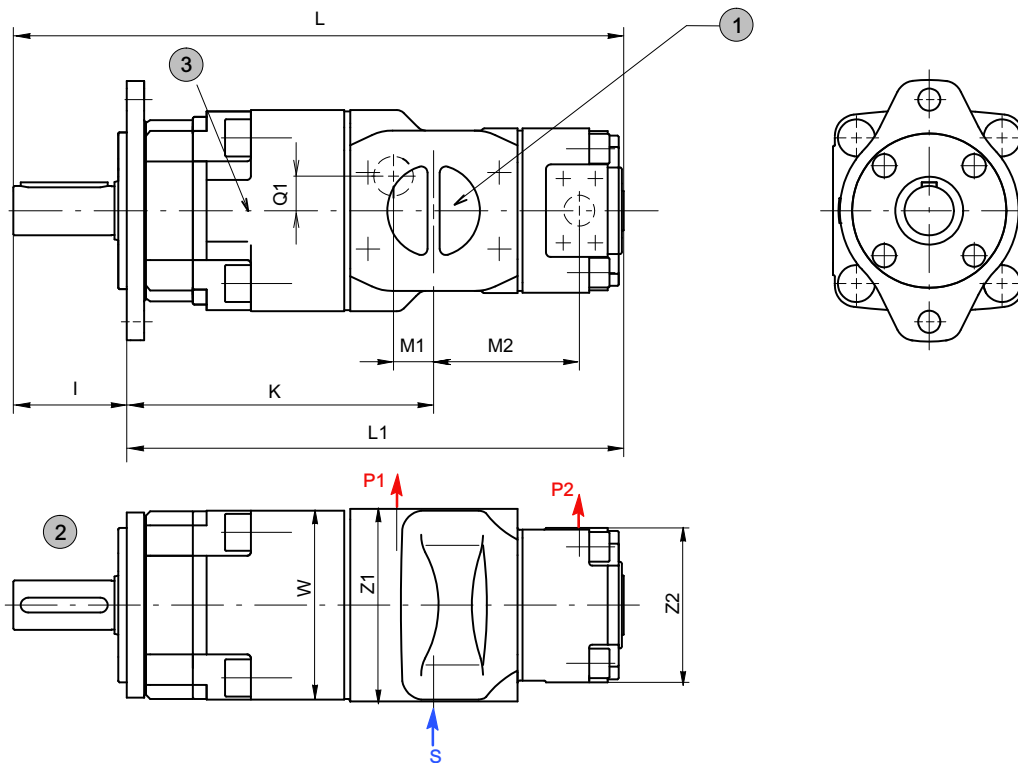
3	depending on operating conditions, a second suction port may be required - see section 2.2.1 QX51=SAE 1¼", QX61=SAE 2", QX81=SAE 2½"
---	--

Type	L	L1	K	M1	M2	Q1	Q2	I	Z	W1	W2	S	P1	P2
QX21/21	296	251	141	18	18			45	100	80	80	G 1¼" 1)	G ½" 1) 2)	G ½" 1) 2)
QX31/21	343	293	171	26	30	-	-	50	120	100	80	G 1½" 1)	G ¾" 1) 2)	
QX31/31	358	308								100	100			G ½" 1) 2)
QX41/21	396	328	201	19	35	15	68	125	136	80	SAE 2"	SAE 1"	G ¾" 1) 2)	
QX41/31	411	343			33	15			136	100				SAE 1"
QX41/41	449	381	208	26	26	23	23		136	136			SAE 1"	
QX51/21	468	376	241	23	43	15	92	156	165	80	SAE 2½"	SAE 1¼"	G ½" 1) 2)	
QX51/31	483	391			39	15			165	100				G ¾" 1) 2)
QX51/41	521	429	249	30	32	28	92	195	165	136	SAE 3"	SAE 1"	SAE 1¼"	
QX51/51	547	455			30	28			165	165				SAE 1¼"
QX61/31	541	449	287	24	47	17	92	195	203	100	SAE 3"	SAE 1½"	G ¾" 1) 2)	
QX61/41	564	472			27	39			26	27				203
QX61/51	601	509	292	32	40	35	92	250	203	165	SAE 1½"	SAE 1¼"	SAE 1¼"	
QX61/61	628	536			32	35			203	203				SAE 1½"
QX81/41	679	562	359	35	51	25	117	250	250	136	SAE 3½"	SAE 2"	SAE 1"	
QX81/51	705	588			47	30			250	165				SAE 1"
QX81/61	732	615	38	45	40	40	117	250	250	203	SAE 2"	SAE 2"	SAE 1½"	
QX81/81	774	657			38	40			256	256				SAE 2"

1) threaded port to DIN 3852, Part 2

2) pressure port to SAE J518 code 61 / ISO 6162-1 can be supplied for pressure ranges 2+3

B Double pumps QX.1/2



1	S = common suction port
2	shaft and mounting dimensions see section 4

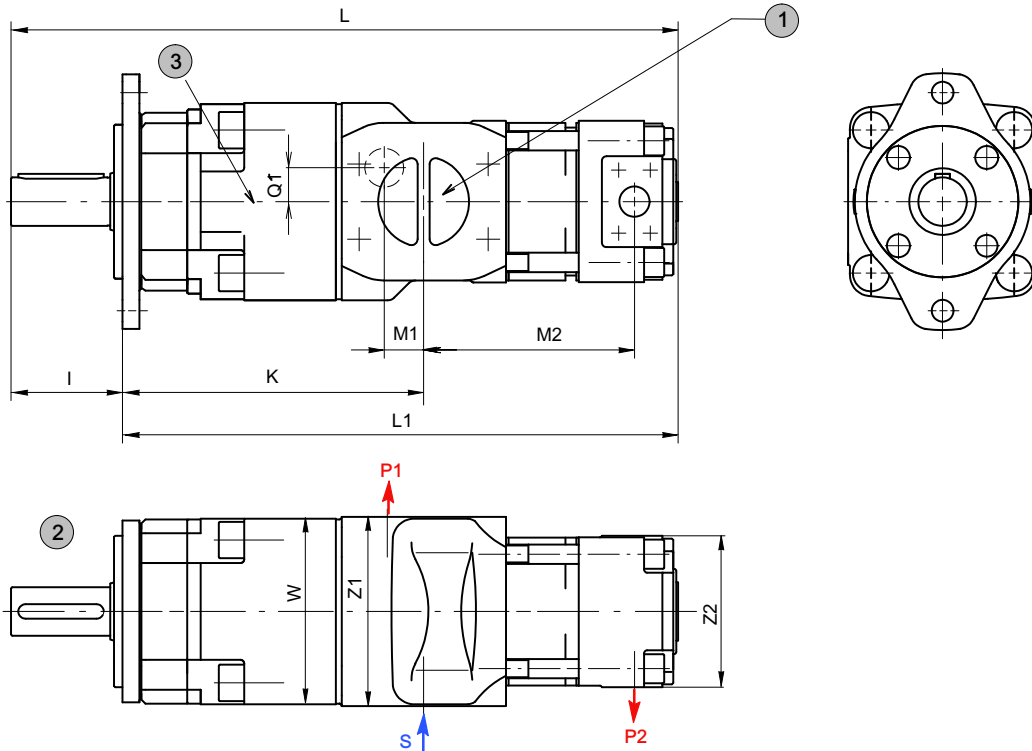
3	depending on operating conditions, a second suction port may be required - see section 2.2.1: QX51=SAE 1¼", QX61=SAE 2", QX81=SAE 2½"
---	---

Type	L	L1	K	M1	M2	Q1	I	Z1	Z2	W	S	P1	P2		
QX21/22	278	233	141	18	67	-	45	100	100	80	G 1¼" ¹⁾	G ½" ^{1) 2)}	G ½" ^{1) 2)}		
QX31/22	325	275	171	26	79		50	120		100	G 1½" ¹⁾	G ¾" ^{1) 2)}			
QX31/32	338	288			87	15	68	125	120	136	SAE 2"	SAE 1"	G ¾" ^{1) 2)}		
QX41/22	378	310	201	19	84	23	92	156	100	165	SAE 3"	SAE 1"	G ½" ^{1) 2)}		
QX41/32	391	323			92								28	125	125
QX41/42	423	355	208	26	111	23	68	125	125	136	SAE 2"	SAE 1"	SAE 1"		
QX51/22	450	358	241	23	92	15	92	156	100	165	SAE 2½"	SAE 1¼"	G ½" ^{1) 2)}		
QX51/32	463	371			100				28				120	125	136
QX51/42	495	403	249	30	118	28	92	156	125	165	SAE 3"	SAE 1¼"	SAE 1"		
QX51/52	515	423			127				28				156	136	SAE 2"
QX61/32	521	429	287	24	112	17	92	195	120	203	SAE 3"	SAE 1½"	G ¾" ^{1) 2)}		
QX61/42	538	446		27	123	26			125				136	SAE 2"	SAE 1"
QX61/52	569	477	292	32	137	35	92	195	156	203	SAE 3"	SAE 1½"	SAE 1¼"		
QX61/62	588	496			149				35				197	136	SAE 2"
QX81/42	653	536	359	35	141	25	117	250	125	256	SAE 3½"	SAE 2"	SAE 1"		
QX81/52	673	556			150				25				156	136	SAE 2"
QX81/62	692	575		38	162	40			197				136	SAE 2"	SAE 1½"
QX81/82	724	607			179				40				250	136	SAE 2"

1) threaded port to DIN 3852, Part 2

2) pressure port to SAE J518 code 61 / ISO 6162-1 can be supplied for pressure ranges 2+3

C Double pumps QX.1/3



1	S = common suction port
2	shaft and mounting dimensions see section 4

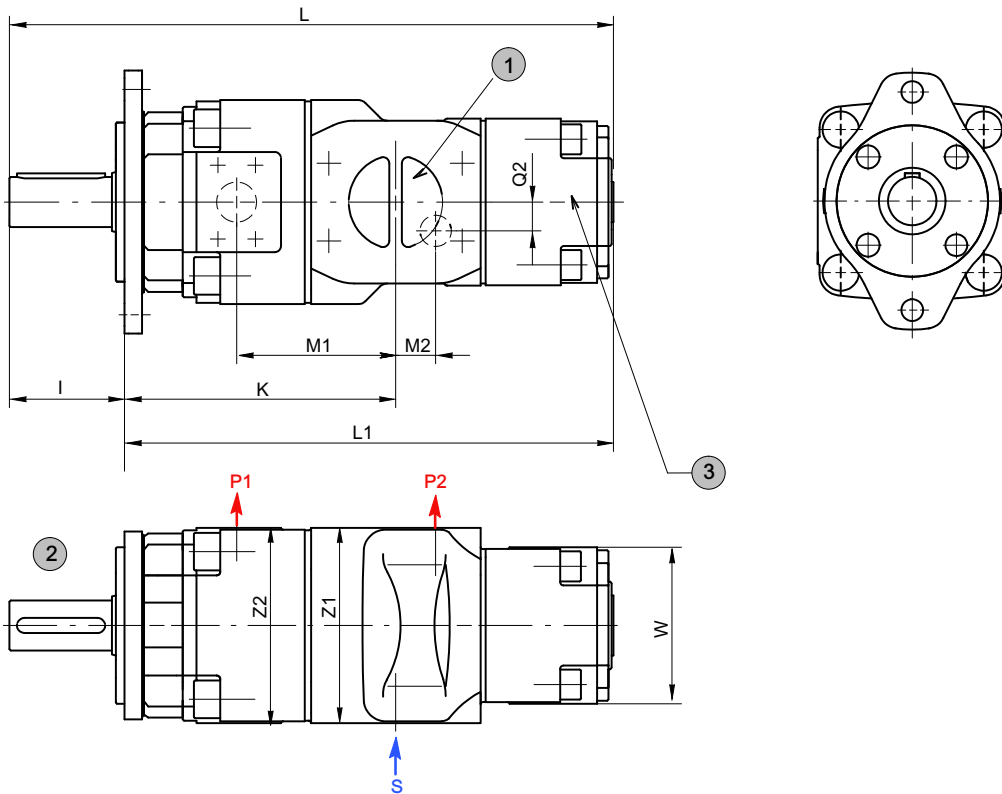
3	depending on operating conditions, a second suction port may be required - see section 2.2.1: QX51=SAE 1 1/4", QX61=SAE 2", QX81=SAE 2 1/2"
---	---

Type	L	L1	K	M1	M2	Q1	I	Z1	Z2	W	S	P1	P2
QX21/23	313	268	141	18	102	-	45	100	100	80	G 1 1/4" ¹⁾	G 1/2" ^{1) 2)}	G 1/2" ^{1) 2)}
QX31/23	360	310	171	26	114		50	120	100	100	G 1 1/2" ¹⁾	G 3/4" ^{1) 2)}	
QX31/33	383	333			132	120	100	100	100	100	G 1 1/2" ¹⁾	G 3/4" ^{1) 2)}	
QX41/23	413	345	201	19	119	15	68	125	100	136	SAE 2"	SAE 1"	G 1/2" ^{1) 2)}
QX41/33	436	368			137	120			120				G 3/4" ^{1) 2)}
QX41/43	479	411	208	26	167	23	92	156	125	165	SAE 2 1/2"	SAE 1 1/4"	SAE 1"
QX51/23	485	393	241	23	127	15			100				100
QX51/33	508	416			145	15	120	165	120	100	G 3/4" ^{1) 2)}		
QX51/43	551	459	249	30	174	28	92	195	125	203	SAE 3"	SAE 1 1/4"	SAE 1"
QX51/53	585	493			197	28			156				156
QX61/33	566	474	287	24	157	17	92	195	120	203	SAE 3"	SAE 1 1/2"	G 3/4" ^{1) 2)}
QX61/43	594	502			27	179			26				125
QX61/53	637	545	292	32	207	35	117	250	156	256	SAE 3 1/2"	SAE 2"	SAE 1 1/4"
QX61/63	678	586			239	35			197				197
QX81/43	709	592	359	35	197	25	117	250	125	256	SAE 3 1/2"	SAE 2"	SAE 1"
QX81/53	743	626			220				25				156
QX81/63	782	665	359	38	252	40	117	250	197	256	SAE 4"	SAE 2"	SAE 1 1/2"
QX81/83	839	722			294				40				250

1) threaded port to DIN 3852, Part 2

2) pressure port to SAE J518 code 61 / ISO 6162-1 can be supplied for pressure ranges 2+3

D Double pumps QX.2/1



1	S = common suction port
2	shaft and mounting dimensions see section 4

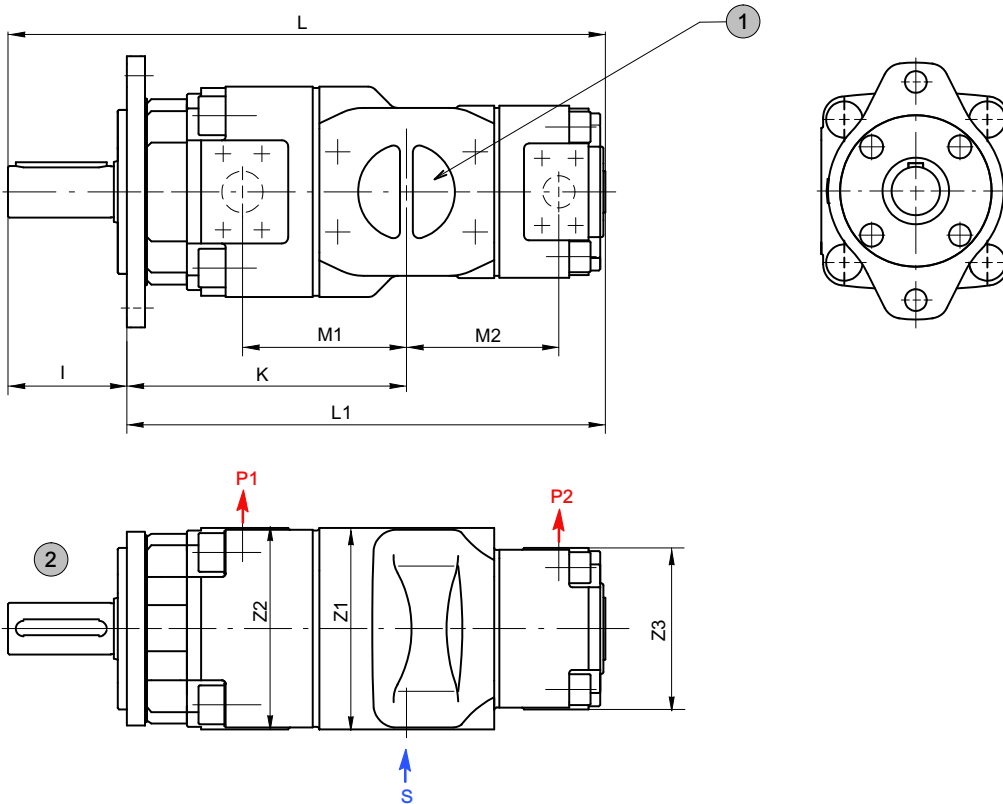
3	depending on operating conditions, a second suction port may be required - see section 2.2.1: QX51=SAE 1 1/4", QX61=SAE 2"
---	---

Type	L	L1	K	M1	M2	Q2	I	Z1	Z2	W	S	P1	P2
QX32/21	323	273	151	87	30	-	50	120	120	80	G 1 1/2" 1)	G 3/4" 1) 2)	G 1/2" 1) 2)
QX42/21	370	302	175	103	35	-	68	125	125	100	SAE 2"	SAE 1"	G 3/4" 1) 2)
QX42/31	385	317			33	15							
QX52/21	436	344	209	120	43	-	92	156	156	80	SAE 2 1/2"	SAE 1 1/4"	G 1/2" 1) 2)
QX52/31	451	359			39	15							G 3/4" 1) 2)
QX52/41	489	397	217	127	32	23	92	195	197	136	SAE 3"	SAE 1 1/2"	SAE 1"
QX62/31	501	409	247	144	47	14							G 3/4" 1) 2)
QX62/41	524	432			39	27	136	SAE 1 1/4"	SAE 1"				
QX62/51	561	469	252	149	40	28	117	250	250	165	SAE 3 1/2"	SAE 2"	SAE 1 1/4"
QX82/41	629	512	309	179	51	25							136
QX82/51	655	538			47	30	165	SAE 2"	SAE 1 1/4"				
QX82/61	682	565			45	35	203	SAE 4"	SAE 1 1/2"				

1) threaded port to DIN 3852, Part 2

2) pressure port to SAE J518 code 61 / ISO 6162-1 can be supplied for pressure ranges 2+3

E Double pumps QX.2/2



1 S = common suction port

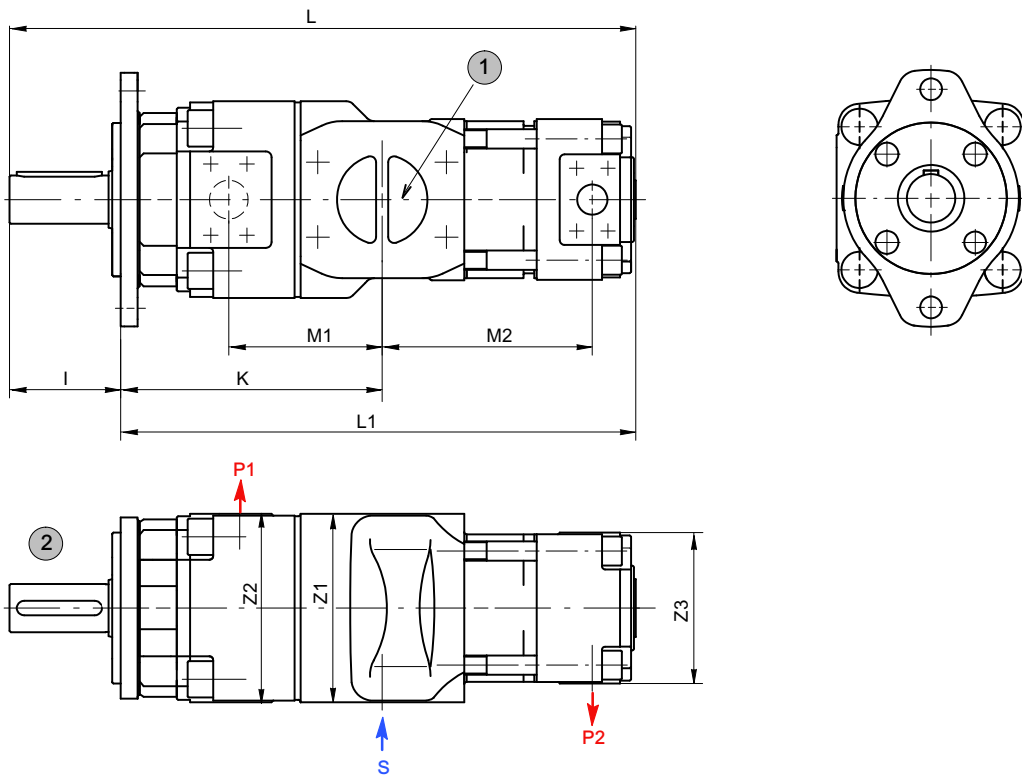
2 shaft and mounting dimensions - see section 4

Type	L	L1	K	M1	M2	I	Z1	Z2	Z3	S	P1	P2
QX22/22	260	215	123	67	67	45	100		100	G 1¼" ¹⁾	G ½" ^{1) 2)}	G ½" ^{1) 2)}
QX32/22	305	255	151	87	79	50	120		120	G 1½" ¹⁾	G ¾" ^{1) 2)}	G ¾" ^{1) 2)}
QX32/32	318	268			87							
QX42/22	352	284	175	103	84	68	125		100	SAE 2"	SAE 1"	G ½" ^{1) 2)}
QX42/32	365	297			92			120				G ¾" ^{1) 2)}
QX42/42	397	329	182	111	111			125			SAE 1"	
QX52/22	418	326	209	120	92	92	156		100	SAE 2½"	SAE 1¼"	G ½" ^{1) 2)}
QX52/32	431	339			100			120	G ¾" ^{1) 2)}			
QX52/42	463	371	217	127	118			125	156	SAE 3"	SAE 1¼"	SAE 1"
QX52/52	483	391			127	156	SAE 1¼"					
QX62/32	481	389	247	144	112	92	195	197	120	SAE 3½"	SAE 1½"	G ¾" ^{1) 2)}
QX62/42	498	406			123				125			SAE 1"
QX62/52	529	437	252	149	137			156	197	SAE 3½"	SAE 1½"	SAE 1¼"
QX62/62	548	456			149	197	SAE 1½"					
QX82/42	603	486	309	179	141	117	250		125	SAE 4"	SAE 2"	SAE 1"
QX82/52	623	506			150			156	SAE 1¼"			
QX82/62	642	525			162			197	SAE 1½"			
QX82/82	674	557			179			250	SAE 2"			

1) threaded port to DIN 3852, Part 2

2) pressure port to SAE J518 code 61 / ISO 6162-1 can be supplied for pressure ranges 2+3

F Double pumps QX.2/3



1 S = common suction port

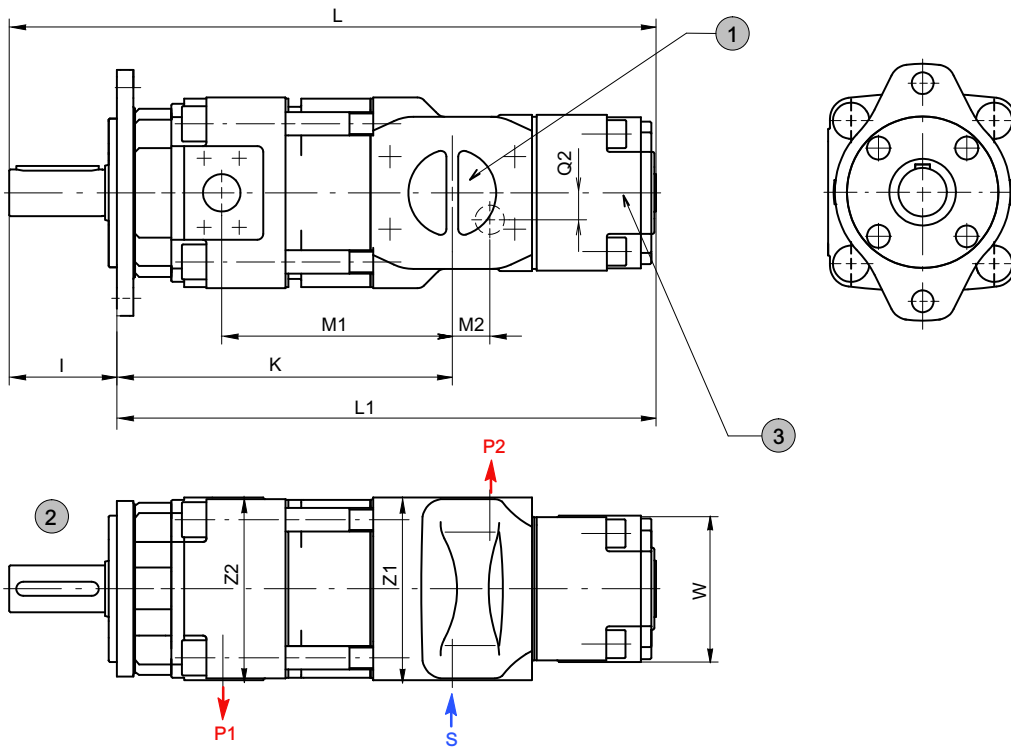
2 shaft and mounting dimensions - see section 4

Type	L	L1	K	M1	M2	I	Z1	Z2	Z3	S	P1	P2
QX32/23	340	290	151	87	114	50	120		100	G 1½" ¹⁾	G ¾" ^{1) 2)}	G ½" ^{1) 2)}
QX42/23	387	319	175	103	119	68	125		120	SAE 2"	SAE 1"	G ¾" ^{1) 2)}
QX42/33	410	342			137							
QX52/23	453	361	209	120	127	92	156		100	SAE 2½"	SAE 1¼"	G ½" ^{1) 2)}
QX52/33	476	384			145			G ¾" ^{1) 2)}				
QX52/43	519	427	217	127	174			125	120	SAE 3"	SAE 1½"	SAE 1"
QX62/33	526	434	247	144	157	92	195	197				G ¾" ^{1) 2)}
QX62/43	554	462			179				125	SAE 1"		
QX62/53	599	507	252	149	207			156	125	SAE 3½"	SAE 1½"	SAE 1¼"
QX82/43	659	542			197	117	250	156				SAE 1"
QX82/53	693	576	309	179	220				250	197	197	SAE 2"
QX82/63	732	615			252	SAE 1½"						

1) threaded port to DIN 3852, Part 2

2) pressure port to SAE J518 code 61 / ISO 6162-1 can be supplied for pressure ranges 2+3

G Double pumps QX.3/1



1	S = common suction port
2	shaft and mounting dimensions - see section 4

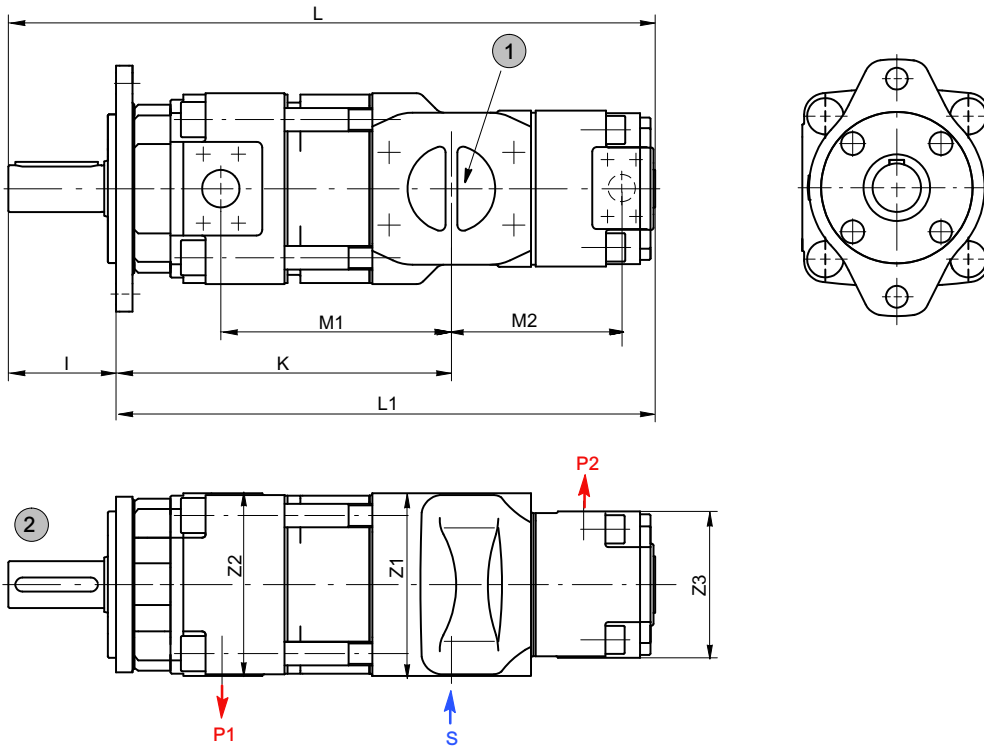
3	depending on operating conditions, a second suction port may be required - see section 2.2.1 QX61=SAE 2"
---	--

Type	L	L1	K	M1	M2	Q2	I	Z1	Z2	W	S	P1	P2	
QX33/21	368	318	196	132	30	-	50	120	120	80	G 1½" ¹⁾	G ¾" ^{1) 2)}	G ½" ^{1) 2)}	
QX43/21	426	358	231	159	35	-	68	125	125		SAE 2"	SAE 1"	G ¾" ^{1) 2)}	
QX43/31	441	373			33	15								
QX53/21	506	414	279	190	43	-	92	156	156	80	SAE 2½"	SAE 1¼"	G ½" ^{1) 2)}	
QX53/31	521	429			39	15							G ¾" ^{1) 2)}	
QX53/41	559	467			287	197				32			23	136
QX63/31	591	499	337	234	47	14	92	195	197	100	SAE 3"	SAE 1½"	G ¾" ^{1) 2)}	
QX63/41	614	522			39	27							SAE 1"	
QX63/51	651	559	342	239	40	28	117	250	250	165	SAE 2"	SAE 1¼"	SAE 1½"	
QX83/41	744	627	424	294	51	25							136	SAE 3½"
QX83/51	770	653			47	30				165			SAE 2"	SAE 1¼"
QX83/61	797	680			45	35	203	SAE 4"	SAE 1½"					

1) threaded port to DIN 3852, Part 2

2) pressure port to SAE J518 code 61 / ISO 6162-1 can be supplied for pressure ranges 2+3

H Double pumps QX.3/2



1 S = common suction port

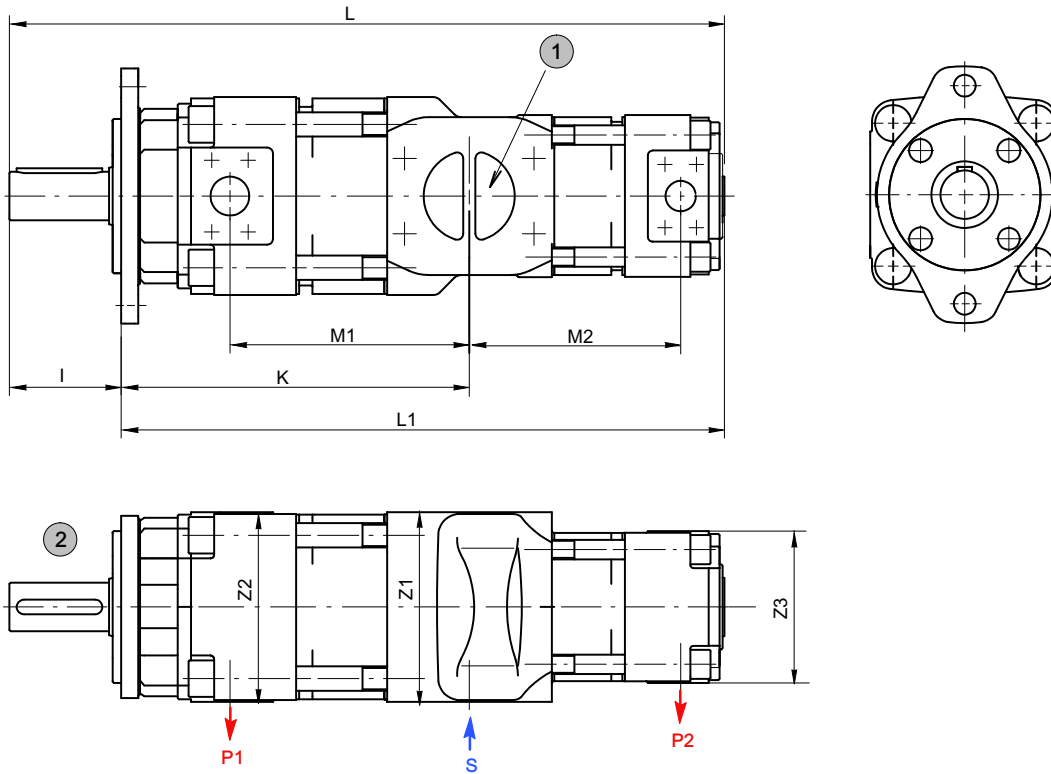
2 shaft and mounting dimensions - see section 4

Type	L	L1	K	M1	M2	I	Z1	Z2	Z3	S	P1	P2
QX23/22	295	250	158	102	67	45	100		100	G 1 1/4" 1)	G 1/2" 1) 2)	G 1/2" 1) 2)
QX33/22	350	300	196	132	79	50	120		100	G 1 1/2" 1)	G 3/4" 1) 2)	G 3/4" 1) 2)
QX33/32	363	313		87	120							
QX43/22	408	340	231	159	84	68	125		100	SAE 2"	SAE 1"	G 1/2" 1) 2)
QX43/32	421	353			92			120	G 3/4" 1) 2)			
QX43/42	453	385	238	167	111		125		125			SAE 1"
QX53/22	488	396	279	190	92	92	156		100	SAE 2 1/2"	SAE 1 1/4"	G 1/2" 1) 2)
QX53/32	500	408			100			120	G 3/4" 1) 2)			
QX53/42	533	441	287	197	118			125		SAE 3"	SAE 1 1/4"	SAE 1"
QX53/52	553	461			127	156	SAE 1 1/4"					
QX63/32	571	479	337	234	112	92	195	197	120	SAE 3 1/2"	SAE 1 1/2"	G 3/4" 1)
QX63/42	588	496			123				125			SAE 1"
QX63/52	619	527	342	239	137			156		SAE 3 1/2"	SAE 1 1/2"	SAE 1 1/4"
QX63/62	638	546			149	197	SAE 1 1/2"					
QX83/42	718	601	424	294	141	117	250		125	SAE 4"	SAE 2"	SAE 1"
QX83/52	738	621			150			156	SAE 1 1/4"			
QX83/62	757	640			162			197	SAE 1 1/2"			
QX83/82	789	672			179			250	SAE 2"			

1) threaded port to DIN 3852, Part 2

2) pressure port to SAE J518 code 61 / ISO 6162-1 can be supplied for pressure ranges 2+3

I Double pumps QX.3/3



1 S = common suction port

2 shaft and mounting dimensions - see section 4

Type	L	L1	K	M1	M2	I	Z1	Z2	Z3	S	P1	P2
QX23/23	330	285	158	102	102	45	100		100	G 1 1/4" ^{1) 2)}	G 1/2" ^{1) 2)}	G 1/2" ^{1) 2)}
QX33/23	385	335	196	132	114	50	120		100	G 1 1/2" ^{1) 2)}	G 3/4" ^{1) 2)}	G 3/4" ^{1) 2)}
QX33/33	408	358			132			120				
QX43/23	442	374	231	159	119	68	125		100	SAE 2"	SAE 1"	G 1/2" ^{1) 2)}
QX43/33	466	398			137			120	G 3/4" ¹⁾			
QX43/43	509	441	238	167	167			125	125	SAE 1"	SAE 1"	SAE 1"
QX53/23	523	431	279	190	127	92	156		100	SAE 2 1/2"	SAE 1 1/4"	G 1/2" ^{1) 2)}
QX53/33	546	454			145			120	G 3/4" ^{1) 2)}			
QX53/43	589	497	287	197	174			125	SAE 3"	SAE 1 1/4"	SAE 1"	SAE 1"
QX53/53	623	531			197	156	SAE 1 1/4"					
QX63/33	616	524	337	234	157	92	195	197	120	SAE 3 1/2"	SAE 1 1/2"	G 3/4" ^{1) 2)}
QX63/43	644	552			179				125			SAE 1"
QX63/53	689	597	342	239	207			156	SAE 3 1/2"	SAE 1 1/2"	SAE 1 1/4"	SAE 1 1/4"
QX63/63	728	636			239	197	SAE 1 1/2"					
QX83/43	774	657	424	294	197	117	250		125	SAE 4"	SAE 2"	SAE 1"
QX83/53	808	691			220			156	SAE 1 1/4"			
QX83/63	847	730			252			197	SAE 1 1/2"			
QX83/83	904	787			294			250	SAE 2"			

1) threaded port to DIN 3852, Part 2

2) pressure port to SAE J518 code 61 / ISO 6162-1 can be supplied for pressure ranges 2+3

5.3 Ordering code for double pumps

		Q X 6 3 - 0 8 0 / 3 1 - 0 2 0 R * *
Series	= QX	
Frame size	= 2 / 3 / 4 / 5 / 6 / 8	
Pressure range	= 1 / 2 / 3 / 4 ¹⁾	
Displacement [cm ³ /rev]	= 005 - 500	
	Frame size	= 2 / 3 / 4 / 5 / 6 / 8
	Pressure range	= 1 / 2 / 3 / 4 ¹⁾
	Displacement [cm ³ /rev]	= 005 - 500
Rotation (viewed from shaft end)	right (CW) = R (standard) left (CCW) = L	
Option	see section 5.3.3	

1) Pressure range 4 on request.

5.3.1 Ordering example:

Required: double pump

Pump 1

Displacement: 80 cm³/rev
Continuous pressure: 300 bar
Type: 63-080

Pump 2

Displacement: 20 cm³/rev
Continuous pressure: 160 bar
Type: 31-020

for use with mineral oil

Ordering code: QX63-080/31-020R

5.3.2 Standard configuration

- direction of rotation - right (CW)
- 2-hole mounting flange to ISO 3019/1 (SAE): sizes QX 3-6
- 2-hole mounting flange to ISO 3019/2 (metr.): sizes QX 2+8
- Nitrile seals
- parallel shaft end to ISO/R775
- black priming, flange without priming

5.3.3 Options

- O = without priming
- 06 = external drain port in the pump rear cover
 - QX 2-5 = G 1/4"
 - QX 6 = G 3/8"
 - QX 8 = G 1/2"
- 09 = FKM (Viton) seals and without priming
- 12 = 2-hole mounting flange to ISO 3019/2 (metric): size QX 3-6
- 29 = for HFB and HFC fluids, frame sizes 2-5, without priming
- 66 = 4-hole mounting flange to ISO 3019/2 (metric)
- 83 = second suction port on:
 - QX51=SAE 1 1/4", QX61=SAE 2", QX81=SAE 2 1/2"
- 86 = for HFB and HFC fluids, frame sizes 6+8, without priming
- 117 = pressure port to SAE J518 code 61 / ISO 6162-1 can be supplied for frame size 2+3 with pressure ranges 2+3

Further options on request.

6 Triple pumps

The following table shows the triple-pump combinations that can be supplied (other triple-pumps on request). The individual pumps 1, 2 and 3 must be specified in accordance with the main characteristics shown in section 2.

The largest pump of the combination is situated at the shaft end and is referred to as Pump 1. For equal frame sizes, the pump with the larger displacement is situated at the drive side. Pumps 2 and 3 have a common suction port.

IMPORTANT: Triple pumps with pressure range 4 on request.

6.1 Selection table

Frame size of pump 1

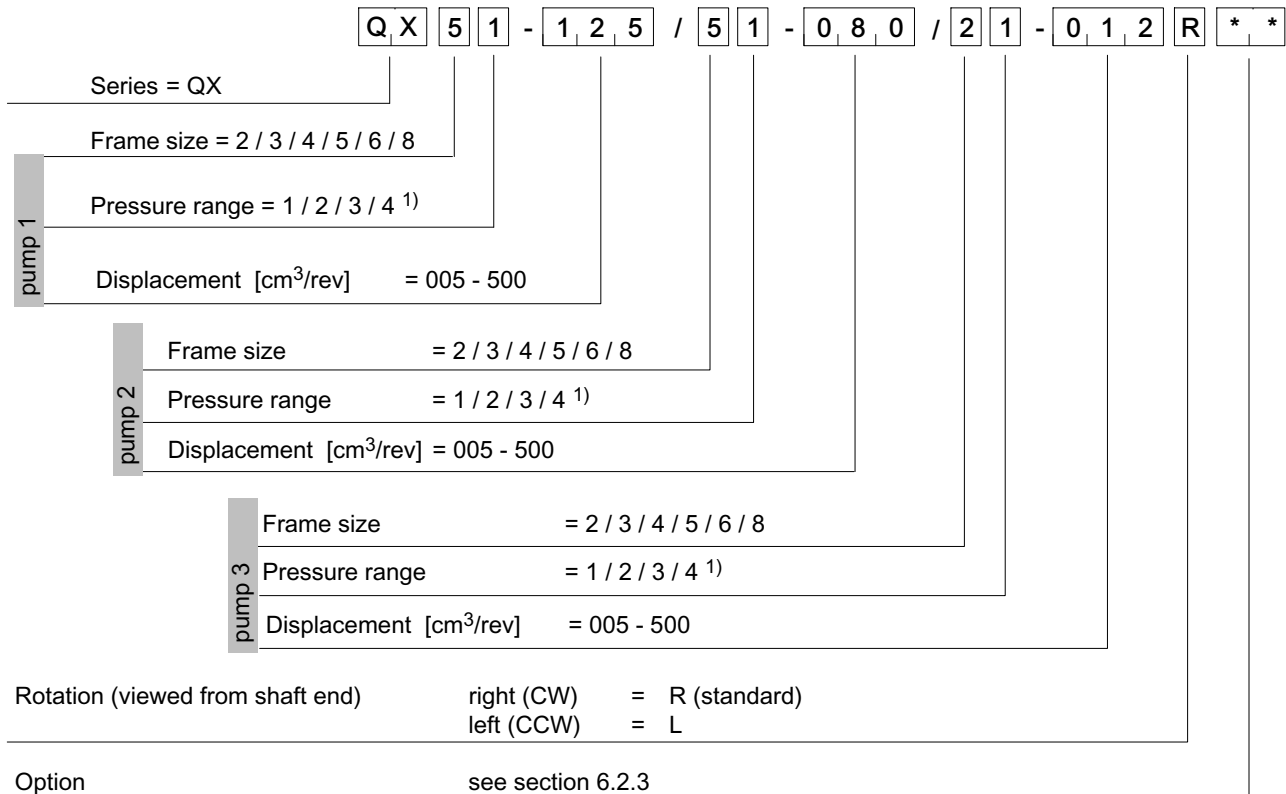
QX2.	QX3.	QX4.	QX5.	QX5.	QX6.	QX8.
QX21/21/21	QX31/21/21	QX41/21/21	QX51/22/23	QX52/52/31	QX61/31/33	QX81/42/23
QX21/21/22	QX31/21/22	QX41/21/23	QX51/23/23	QX52/52/42	QX61/41/21	QX82/42/43
QX21/21/23	QX31/21/23	QX41/22/22	QX52/23/23	QX52/52/43	QX61/41/42	QX82/51/53
QX21/22/22	QX31/22/22	QX41/23/23	QX53/22/22	QX52/52/52	QX61/42/23	QX83/51/53
QX21/22/23	QX31/22/23	QX42/22/22	QX51/31/33	QX52/52/53	QX61/42/43	QX81/61/61
QX21/23/23	QX31/23/22	QX43/22/22	QX51/33/33	QX52/53/31	QX61/43/43	QX81/62/63
QX22/22/22	QX31/23/23	QX43/23/22	QX51/41/23	QX52/53/53	QX62/41/22	QX81/63/33
QX22/22/23	QX32/22/22	QX43/23/23	QX51/41/42	QX53/53/23	QX62/42/42	QX82/61/61
QX23/23/23	QX32/22/23	QX41/31/33	QX51/41/43	QX53/53/33	QX62/43/43	QX82/62/62
	QX32/23/23	QX41/33/22	QX51/42/22		QX63/43/22	QX82/63/31
	QX33/21/22	QX41/33/33	QX51/42/43		QX61/52/53	QX83/61/61
	QX33/21/23	QX42/31/32	QX51/43/21		QX61/53/23	QX83/63/43
	QX33/23/23	QX42/32/32	QX51/43/22		QX61/53/31	QX83/63/61
	QX31/31/21	QX42/33/32	QX51/43/23		QX62/52/32	QX81/81/61
	QX31/31/22	QX43/31/31	QX51/43/43		QX62/52/52	QX81/81/81
	QX31/31/23	QX43/33/33	QX52/42/23		QX62/53/22	QX82/82/52
	QX31/31/31	QX41/41/33	QX52/42/42		QX62/53/23	QX82/82/62
	QX31/31/33	QX41/42/21	QX52/43/22		QX62/53/31	QX82/82/63
	QX31/32/22	QX41/42/23	QX52/43/23		QX62/53/33	QX83/83/53
	QX31/33/33	QX41/42/42	QX52/43/43		QX63/51/51	
	QX32/32/22	QX41/43/21	QX53/41/22		QX63/53/53	
	QX32/32/23	QX41/43/22	QX53/41/23		QX61/61/31	
	QX32/32/32	QX41/43/23	QX53/42/22		QX61/61/33	
	QX32/32/33	QX42/42/22	QX53/42/43		QX61/61/41	
	QX33/33/23	QX42/42/23	QX53/43/23		QX61/61/53	
	QX33/33/33	QX42/42/31	QX51/51/21*		QX61/62/42	
		QX42/42/32	QX51/51/32		QX61/62/63	
		QX42/42/33	QX51/51/33		QX61/63/32	
		QX42/42/42	QX51/52/32		QX61/63/33	
		QX42/42/43	QX51/52/33		QX61/63/41	
		QX43/43/43	QX51/52/42		QX61/63/42	
			QX51/52/43		QX62/62/33	
			QX51/53/22		QX62/62/43	
			QX51/53/23		QX62/62/53	
			QX51/53/31		QX62/62/62	
			QX51/53/33		QX62/62/63	
			QX51/53/41		QX62/63/63	
			QX51/53/43		QX63/63/32	
			QX51/53/52		QX63/63/43	
			QX52/52/23		QX63/63/53	
65	130	260	520	520	1050	2100

Max. permissible drive shaft torque [Nm]

* this pump is used as the ordering example in section 6.2

6.2 Ordering code for triple pumps

Triple pumps can only be supplied after consulting Bucher Hydraulics GmbH.



1) Pressure range 4 on request.

6.2.1 Ordering example:

Required: triple pump

Pump 1

Displacement: 125 cm³/rev
 Continuous pressure: 80 bar
 Type: 51-125

Pump 2

Displacement: 80 cm³/rev
 Continuous pressure: 150 bar
 Type: 51-080

Pump 3

Displacement: 12 cm³/rev
 Continuous pressure: 125 bar
 Type: 21-012

For use with mineral oil

Referring to the selection table in sect. 6.1, QX51/51/21 is an obtainable combination.

Ordering code: QX51-125/51-080/21-012R

6.2.2 Standard configuration

- direction of rotation - right (CW)
- 2-hole mounting flange to ISO 3019/1 (SAE): sizes QX 3-6
- 2-hole mounting flange to ISO 3019/2 (metr.): sizes QX 2+8
- nitrile seals
- parallel shaft end to ISO/R775
- black priming, flange without priming

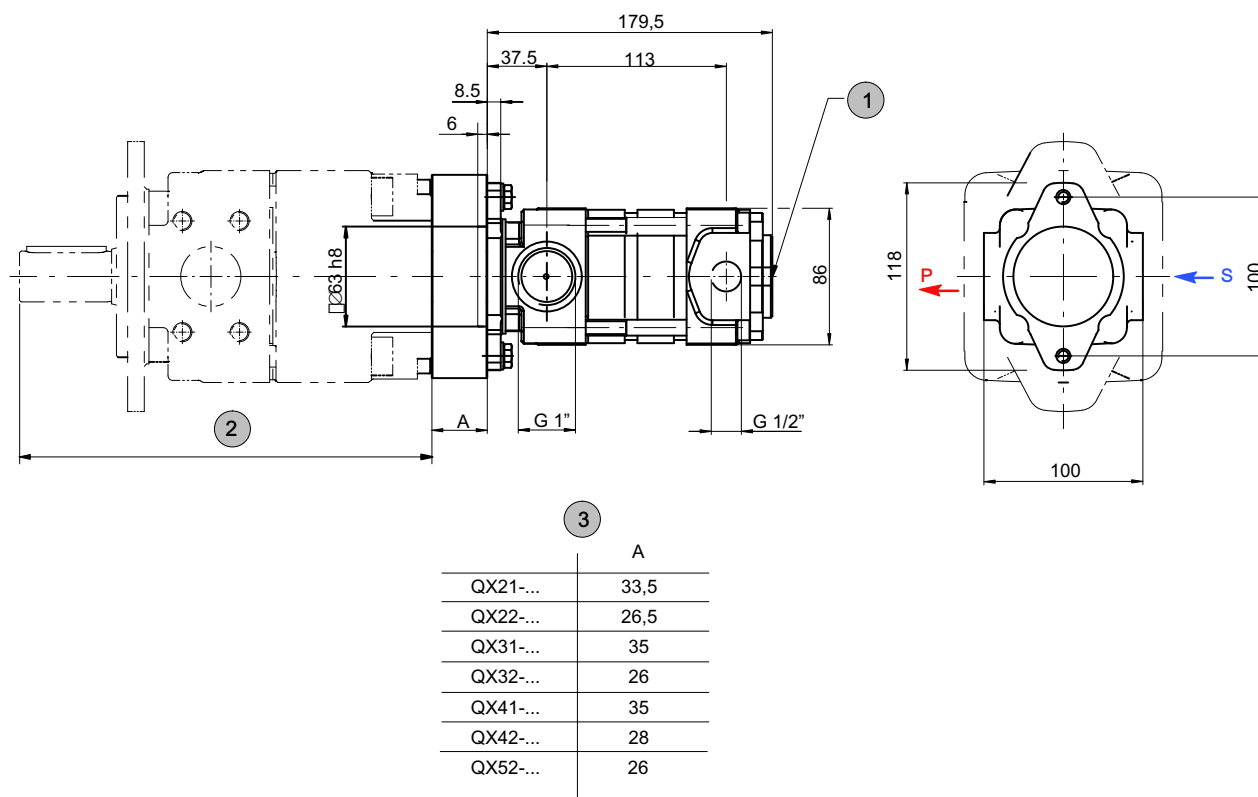
6.2.3 Options

- O = without priming
- 06 = external drain port in the pump rear cover
 QX 2-5 = G1/4", QX 6 = G3/8", QX 8 = G1/2"
- 09 = FKM (Viton) seals and without priming
- 12 = 2-hole mounting flange to ISO 3019/2 (metric): size QX 3-6
- 29 = for HFB and HFC fluids, frame sizes 2-5, without priming
- 66 = 4-hole mounting flange to ISO 3019/2 (metric)
- 83 = second suction port on:
 QX51=SAE 1 1/4", QX61=SAE 2", QX81=SAE 2 1/2"
- 86 = for HFB and HFC fluids, frame sizes 6+8, without priming
- 117 = pressure port to SAE J518 code 61 / ISO 6162-1 can be supplied for frame size 2+3 with pressure ranges 2+3

Further options on request.

7 Low-flow capability pump in combination with other QX-single pumps

7.1 Dimensions

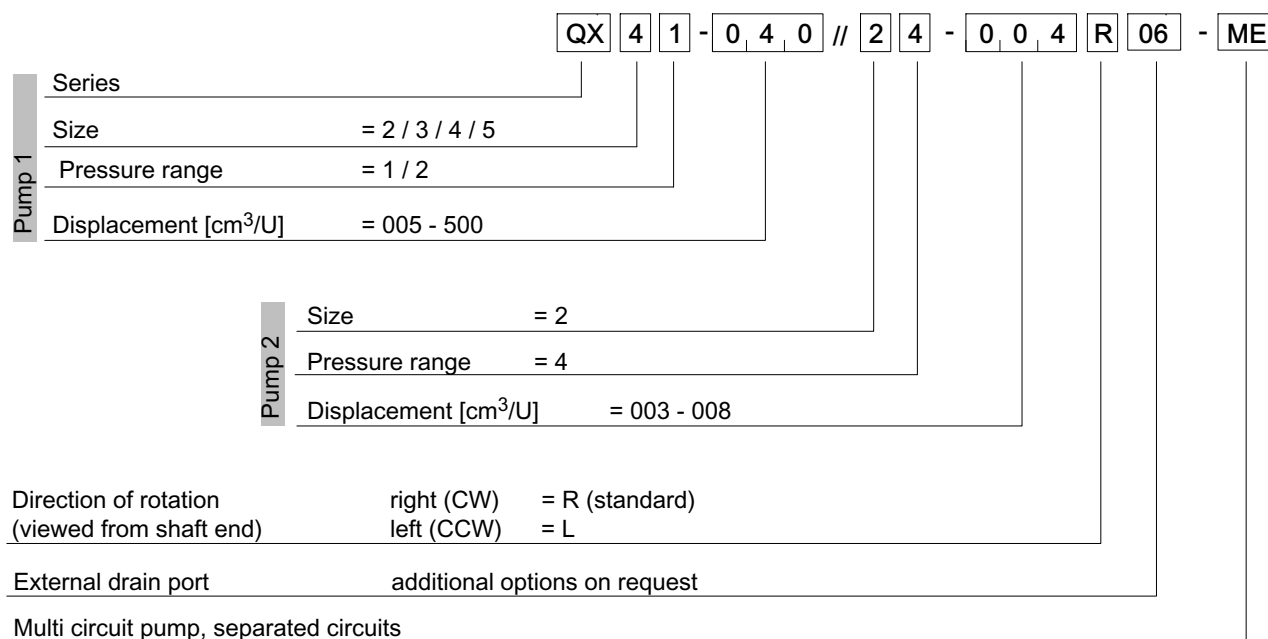


1 external drain port G 1/2"

2 dimensions see section 4

3 dimension A depends on the driving QX pump model (2)

7.2 Ordering code



7.2.1 Ordering example:

Required: Double pump

Pump 1

Displacement: 40 cm³/rev
 Continuous pressure: 160 bar
 Type: 41 - 040

Pump 2

Displacement: 4 cm³/rev
 Continuous pressure: 250 bar
 Type: 24 - 004

For use with mineral oil:

Ordering code: QX41-040//24-004R06-ME

8 Fluid

QX pumps require fluid with a minimum cleanliness level of ISO 4406 code 20/18/15.

We recommend the use of fluids that contain anti-wear additives for mixed-friction operating conditions. Fluids without appropriate additives can reduce the service life of pumps and motors. The user is responsible for maintaining, and regularly checking, the fluid quality. Bucher Hydraulics recommends a load capacity of $\geq 30 \text{ N/mm}^2$ to Brügger DIN 51347-2.

9 Fluid cleanliness class

Cleanliness class (RK) onto ISO 4406 and NAS 1638

Code ISO 4406	Number of particles / 100 ml			
	$\geq 4 \mu\text{m}$	$\geq 6 \mu\text{m}$	$\geq 14 \mu\text{m}$	NAS 1638
23/21/18	8000000	2000000	250000	12
22/20/18	4000000	1000000	250000	-
22/20/17	4000000	1000000	130000	11
22/20/16	4000000	1000000	64000	-
21/19/16	2000000	500000	64000	10
20/18/15	1000000	250000	32000	9
19/17/14	500000	130000	16000	8
18/16/13	250000	64000	8000	7
17/15/12	130000	32000	4000	6
16/14/12	64000	16000	4000	-
16/14/11	64000	16000	2000	5
15/13/10	32000	8000	1000	4
14/12/9	16000	4000	500	3
13/11/8	8000	2000	250	2

10 Operational reliability

To guarantee the reliable operation and a long service life of the pump, a maintenance schedule must be prepared for the power unit, machine or system. The maintenance schedule must make sure that the provided or permissible operating conditions of the pump are adhered to over the period of use.

In particular, compliance with the following operating parameters must be ensured:

- required oil cleanliness
- operating temperature range
- fluid level

Moreover, the pump and the system must be inspected at regular intervals for changes in the following parameters:

- Vibration
- Noise
- Differential temperature of pump – fluid in the tank
- Foaming in the tank
- Leak tightness

Changes in these parameters indicate wear of components (e.g. drive motor, coupling, pump, etc.). The cause must be immediately pinpointed and eliminated.

To provide high operational reliability of the pump in the machine or system, we recommend continuous, automatic checks of the above parameters and an automatic shut-down in the case of changes that exceed the usual fluctuations within the provided operating range.

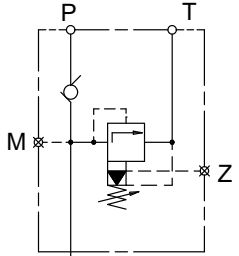
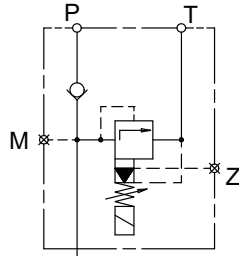
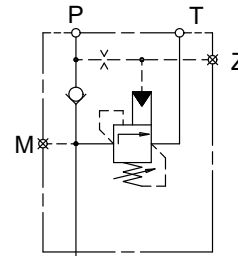
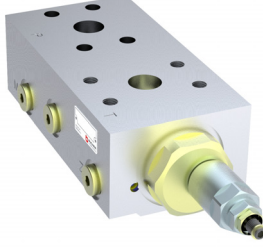

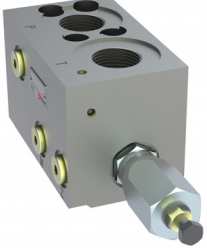
Make sure that the plastic components of the coupling will be exchanged regularly (no later than 5 years). The manufacturer's instructions must be given priority.

11 Note

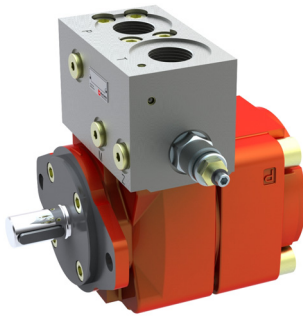
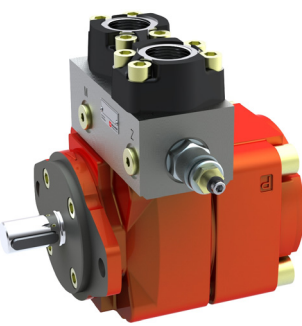
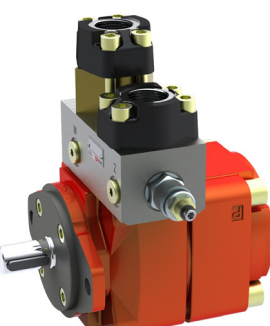
This catalogue is intended for users with specialist knowledge. The user must check the suitability of the equipment described here in order to ensure that all of the conditions necessary for the safety and proper functioning of the system are fulfilled. If you have any doubts or questions concerning the use of these pumps, please consult Bucher Hydraulics GmbH.

12 Accessories

12.1 Bolt-on valves - SAE J518 code 61 / ISO 6162-1 pattern

Pressure relief valve A S _G DF	Pressure relief valve solenoid control A S _G DA	Accumulator charging valve AGSF
		
		
<p>Technical data sheet 100-P-000123</p>	<p>Technical data sheet 100-P-000119</p>	<p>Technical data sheet 100-P-0000124</p>

12.1.1 Examples for Bolt-on valves, mounted on QX Internal Gear Pumps

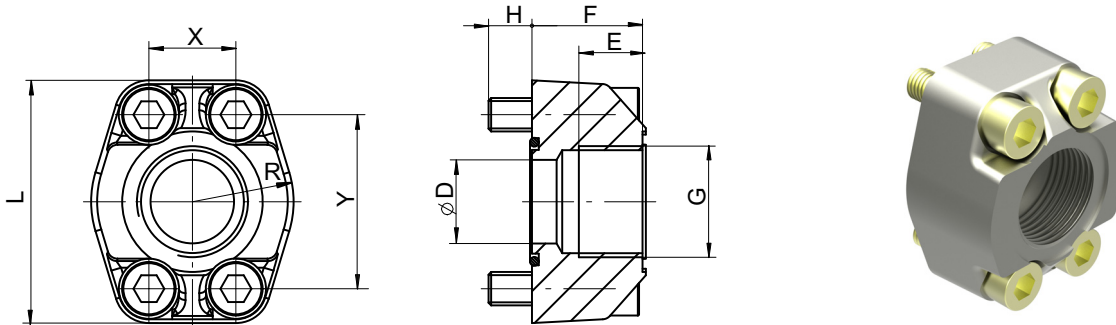
Bolt-on valve with threaded ports AGDF	Bolt-on valves with pipe flanges SAE ¹⁾ ASDF+RF	Bolt-on valve with pipe flanges SAE + RVSAE ²⁾ ASDF+RF+RVSAE+DPSAE+ZPSAE
		

1) Pipe flange see section 12.2 and 12.3

2) Please ask Bucher Hydraulics GmbH for check valves

IMPORTANT: For detailed informations on Bolt-on valves see www.bucherhydraulics.com

12.2 Pipe flanges - high pressure type



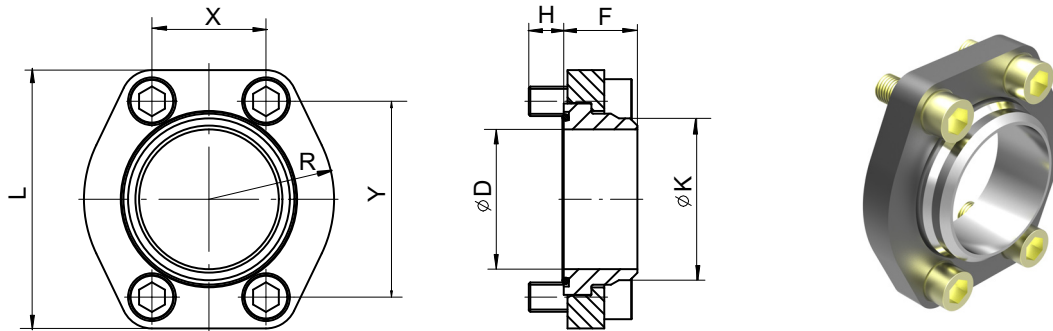
- Max. operating pressure 420 bar
- Flange size SAE J518 code 61 / ISO 6162-1

Threaded pipe flanges are spot-faced for DIN 2353 pipe fittings
 Material: ST37 / for Viton seals, contact Bucher Hydraulics GmbH

Ordering-number	Ordering code	Size	D \varnothing	E	F	H	L	R	X	Y	Viton seal 90 Shore A	Retaining screws DIN912-12.9 / [Nm]	
100037000	RF 01-R08	G 1/2"	12,5	16	27	13	54	23	17,5	38	20,24x2,62	M8x30	30
100037010	RF 02-R10	G 3/4"	20	18	30	12	65	26	22,2	47,6	26,65x2,62	M10x30	60
100037020	RF 03-R11	G 1"	25	20	34	13	70	29	26,2	52,4	32,99x2,62	M10x35	60
100037030	RF 04-R12	G 1 1/4"	32	22	38	14	80	36	30,2	58,6	40,86x3,53	M10x40	60
100037040	RF 05-R13	G 1 1/2"	38	24	41	19	94	41	35,7	70	44,04x3,53	M12x45	120
100037050	RF 06-R14	G 2"	50	26	45	20	102	48	42,9	77,8	59,92x3,53	M12x50	120
100055470*	RF 07-R16	G 2 1/2" *	63	30	50	18	114	57	50,8	89	72,62x3,53	M12x45	120

* at RF07 only to 210 bar be allowed

12.3 Pipe flanges - low pressure type



- Max. operating pressure 16 bar
- Flange size SAE J518 code 61 / ISO 6162-1

Material: HST37 / for Viton seals, contact Bucher Hydraulics GmbH

Ordering number	Ordering code	SAE flange Size	D	K	F	H	L	R	X	Y	Viton seal 90 Shore 'A'	Retaining screws DIN 912-8.8 Torque [Nm]		pipe ¹⁾ O/dia. approx.
100062450	RN 07-S	2½"	63	75	35	14	120	57	51	89	69,44x3,53	M12 x 30	70	75
100063880	RN 08-S	3"	76	88			140,5	68	62	106,5	85,32x3,53	M16 x 40	180	88
100063890	RN 09-S	3½"	89	100	40	19	158,5	73	70	120,3	98,02x3,53	M16 x 40	180	100
100063900	RN 10-S	4"	103	115			168	79	78	130	110,72x3,53	M16 x 40	180	115

1) We recommend the use of seamless precision steel tube to DIN 2391 with wallthick. max 6 mm

info.kl@bucherhydraulics.com

www.bucherhydraulics.com

© 2017 by Bucher Hydraulics GmbH, D-79771 Klettgau

All rights reserved.

Data is provided for the purpose of product description only, and must not be construed as warranted characteristics in the legal sense. The information does not relieve users from the duty of conducting their own evaluations and tests. Because the products are subject to continual improvement, we reserve the right to amend the product specifications contained in this catalogue.

Classification: 410.100.000