

Pneumtical vacuum switches

Features

These switches are used to convert a vacuum signal into a pneumatical signal, e.g. for use with an air saving kit. The switch uses a vacuum actuated membrane to operate a pressure Air 3/2 way valve. The level at which the pressure Air valve will operate can be adjusted using the lockable screw. Two options of valve are available a normally closed version or a normally open version.



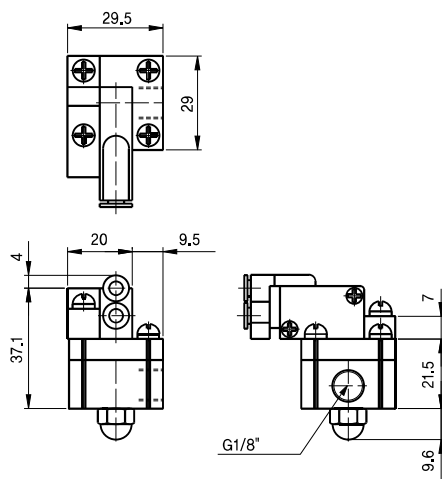
Order no.

VPS - 01

①	②
① Model	② Function
VPS	<ul style="list-style-type: none"> ● 01 - Normally closed ● 02 - Normally open

Function	Adjustable
NC (normally closed)	
NO (normally open)	

Dimensional Information



[Measure Unit : mm]

Operating specifications

Type	Model	VPS-01	VPS-02
Output function		NC (Normally closed)	NO (Normally open)
Pressure (bar)		1,5 ~ 8	
Signal range (-kPa)		15 - 95	10 - 95
Hysteresis (kPa)		12	3
Temperature (°C)		-10 ~ +60°C	
Weight (g)		69	
Vacuum connection		G1/8"	