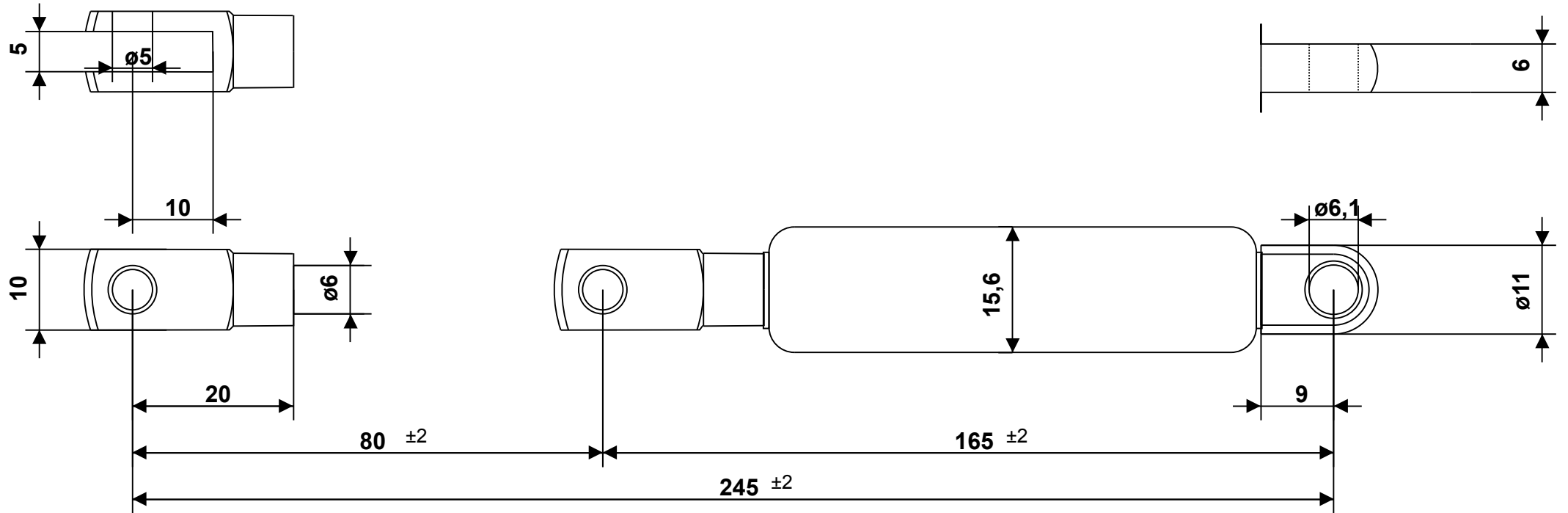


Hahn Part Number: 28-00IZX
G 06 15 0080 1 0245 GA20 AB09 00130N



Intended for internal use and customer / Tolerance of ext. length: +/- 2mm - Dimensions without tolerance: per DIN ISO 2768-1 -c (ISO 2768 -c) - For Information Only
 Force tolerance: F1 >= 1000N: +/- 5%; < 1000N: +/- 10%, min.: +/- 10N, max.: +/- 50N - Unregistered Copy, Print-out or file not subject to modification service.
 End fitting orientation is random and not represented by drawing unless specified - Observe disposal instructions - Not true to scale



Please note our technical instructions

Assembly/storing with piston rod down

09. Oct 2024

Auto-Printservice

No opening-no heating-high pressure

Made in Germany

Part

Dimension

Material / Surface

Fitting

Progr.:47,40 %

Drawing owned by Hahn Gasfedern GmbH

Piston rod

Ø6mm

Stahl, hartverchromt

GA20 M5 Ø5 verzinkt

info@hahn-gasfedern.de

Cylinder

Ø15,6mm

Stahl,schwarz

AB09 Ø6,1 t=6

www.hahn-gasfedern.de

Configuration ID : 10058846-