

# Check Valves

## CV10-NP

Check Valve, Standard Direction  
**350 bar [5000 psi] • 80 l/min [21 US gpm]**

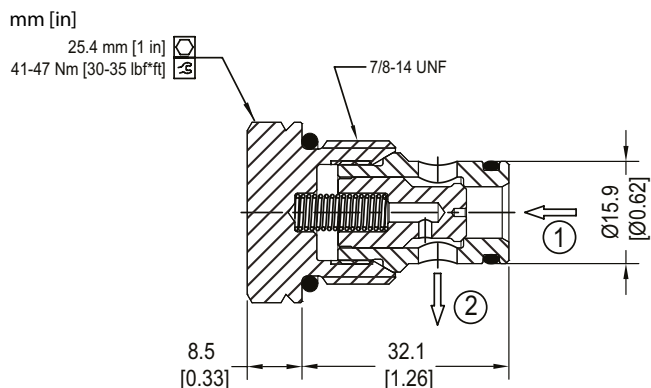
### DESCRIPTION AND OPERATION

This is a check valve where free flow takes place from port 1 to 2 and is blocked from port 2 to 1.

### SCHEMATIC



### DIMENSIONS

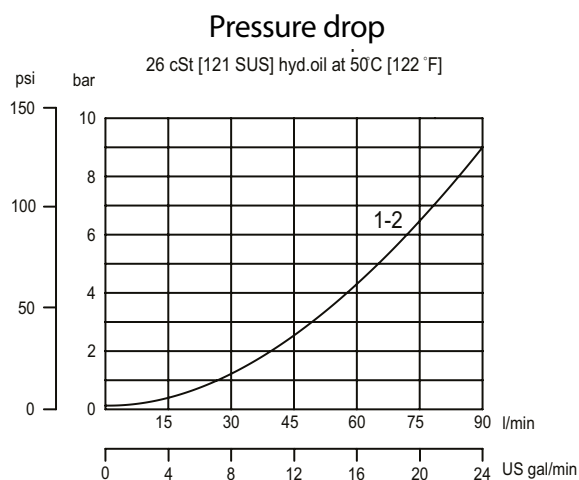


### PERFORMANCE DATA

<b>Rated pressure</b>	<b>350 bar [5000 psi]</b>
<b>Rated flow at 7 bar [100psi]</b>	<b>80 l/min [21 US gpm]</b>
Leakage	6 drops/min @ Rated pressure
Weight	0.08 kg [0.18 lb]
Cavity	SDC10-2

\*Rated pressure based on NFPA fatigue test standard [at 1 million cycles]

### PERFORMANCE CURVES



### MODEL CODE

**CV10 - NP - 0.3 - B - 00**

#### Crack Pressure

Code	Bar	Psi
0.3	0.3	[5]
1	1.0	[15]
2	2.0	[30]
5	5.0	[73]
7	7.0	[100]
10	10	[150]
15	15	[217]

#### Seal Option

Code	Seal kit
B-Buna-N	120015
V-Viton	120016

#### Housing

Code	Ports & Material	Housing Model Code
00	No Housing	No Housing
6S	AL, #6 SAE	SDC10-2-6S
8S	AL, #8 SAE	SDC10-2-8S
3B	AL, 3/8 BSP	SDC10-2-3B
4B	AL, 1/2 BSP	SDC10-2-4B

\* Aluminum bodies are to be used for pressures less than 210 bar [3000 psi].

\* Additional housings available