

ACTUATORS & DAMPERS

WHISKER SWITCH KLNJ-A2



DESCRIPTION

The KLNJ-A2 whisker switch is a high-quality, multi-directional contact switch with a plastic coated spring-rod whisker. It is perfect for sensing damper blade position and can be used to provide position status of valve linkages or other mechanical devices.

FEATURES

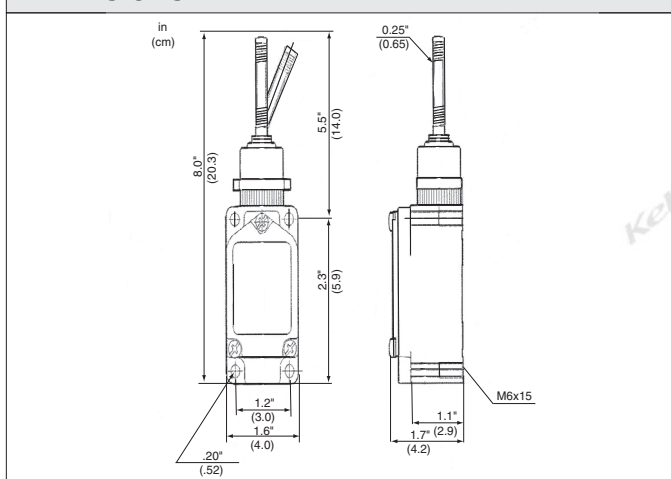
- Plastic coated spring-rod whisker for long life
- Captive wiring cover screws to save time
- Heavy duty 10A @ 120 VAC contacts



1

ACTUATORS & DAMPERS

DIMENSIONS



SPECIFICATIONS

Wiring Terminations	Screw terminals
Conduit Connection	1/2" NPT
Contact Rating	10A @ 24 VAC, 10A @ 120 VAC, 6A @ 24 VDC
Contact Arrangement	1 N.O. and 1 N.C.
Switch Angle	15° make, 6° reset
Operating Temperature	-13° to 131°F (-25° to 55°C)
Dimensions	8.0"H x 1.6"W x 1.7"D (20 x 4.0 x 4.2 cm)
Weight	0.5 lb (0.2 kg)
Enclosure Rating	IP67
Approvals	CE, cUL recognized, NRNT8, E117960
Warranty	1 year

ORDERING INFORMATION

MODEL	DESCRIPTION
KLNJ-A2	Whisker switch with coated spring-rod and 10A @ 120 VAC contacts

WHISKER SWITCH

LS45M91B11

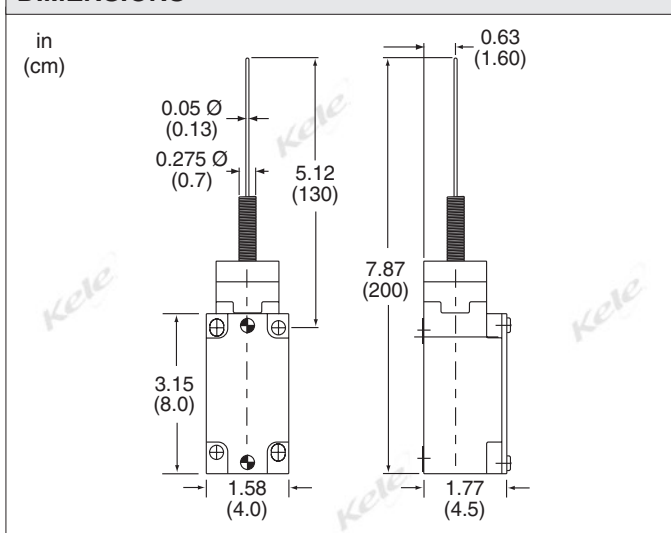
DESCRIPTION

The LS45M91B11 whisker switch is a multidirectional, metal limit switch. This spring rod whisker version allows flexibility when applying to damper, valve, and other HVAC applications that need position sensing.



LS45M91B11

DIMENSIONS



SPECIFICATIONS

Wiring Terminations	Screw terminals
Conduit Connection	1/2" NPT
Contact Rating	10A @ 24 VAC, 5A @ 120 VAC, 2.8A @ 24 VDC
Contact Arrangement	1 N.O. and 1 N.C.
Switch Angle	14° make, 6° reset
Operating Temperature	-13° to 158°F (-25° to 70°C)
Dimensions	7.9"H x 1.6"W x 1.8"D (20 x 4.0 x 4.5 cm)
Weight	0.5 lb (0.2 kg)
Enclosure Rating	NEMA 4X
Approvals	CE, UL Listed, CSA
Warranty	1 year

ORDERING INFORMATION

MODEL	DESCRIPTION
LS45M91B11	Whisker switch with steel spring-rod and 5A @ 120 VAC contacts